

Instructions

- Please complete all survey questions relevant to the equipment being quoted. Survey must be completed based upon conditions at time of installation.
 - Always complete pages 1-2.**
 - For Dock Levelers, complete pages 3-4.
 - For Vehicle Restraints, complete pages 4-6.
 - For Electrical Control Panels, complete page 7.
 - For Dock Seals/Shelters, complete page 8.
 - For any miscellaneous notes or job-specific information not provided elsewhere, complete page 9.
 - Pictures of equipment and operating environment recommended with survey.

For any application where approach is inclined/declined, dock leveler is cantilevered out from building, or vehicle restraint will be installed with dock leveler, page 5 must be completed.

Do not leave any fields blank. If information is unavailable at the time of survey, please write "unknown" or "TBD." Information not provided may lead to a delay in quote or order processing. Systems, LLC is not responsible for errors in quote or order processing due to missing information.

- If multiple dock positions are being quoted and conditions vary from position to position, please submit a survey for each position.
- If site and/or existing equipment pictures are available, please include them with this survey.

Representative & End User Info

Survey Date

Purchase Order Number

--	--

Purchase Order Total

--

Representative Info

Ship to Rep

Reporter Name:	Company Name:
Company Address:	
Contact Phone:	Contact E-Mail:

End User Info

Ship to End User

End User/Job Name:	
End User/Job Address:	
Site Contact Name:	Site Contact Title/Position:
Site Contact Phone:	Site Contact E-Mail:

General Application Info

Dock/Position Info

Dock Number(s)/Position(s) Surveyed	# of Identical Positions (if applicable)
Enclosed Dock (inside building)	Open Dock (outside building)

Facility Electrical Supply

Electrical Voltage/Phase Available	Distance From Dock Position to Nearest Electrical Subpanel
------------------------------------	--

Cold Storage/Cold Weather Usage?

Yes	No	If Yes, specify lowest temperature for equipment operation:	
-----	----	---	--

Washdown/Corrosive Environment?

Yes	No	If Yes, specify washdown chemicals or corrosive substance below:

Existing Equipment (if applicable)

Dock Leveler

Manufacturer	Model/Type
Nominal Size & Lip Size (e.g. 6x8, 16" lip)	Capacity (e.g. 25k CIR)
Special Options/Features (e.g. barrier lip)	Est. Years in Service

Vehicle Restraint

Manufacturer	Model/Type
Mounting Type (e.g. wall/ ground/ weld/ anchors)	Est. Years in Service

Electrical Control Panel(s)

Manufacturer(s)	Model(s)	
Electrical Voltage/Phase(s) (e.g. 460v 3-phase)	Integrated/Combo Panel	Standalone Panel(s)
Special Options/Features (e.g. emergency stop)	Serial Number(s)	

Notes

--

Dock Leveler Usage

Cargo/Load Information

Type of Cargo/Load Contents			Max Load Weight		
Frequent End Loading?	Yes	No	Staging/Turning on Leveler?	Yes	No

Notes

Material Handling Equipment Info (select any/all being used)

Manual Pallet Truck		Electric Forklift	
Electric Pallet Truck		Gas Forklift	
3-Wheel Forklifts	4-Wheel Forklifts	Heaviest Special Attachment Weight (if used):	
Dry Weight of Heaviest Pallet Truck/Forklift (without load)		GVWR* of Heaviest Pallet Truck/Forklift	

Notes

Traffic Volume

1-3 transport vehicles per shift	3-6 transport vehicles per shift	6-9 transport vehicles per shift
----------------------------------	----------------------------------	----------------------------------

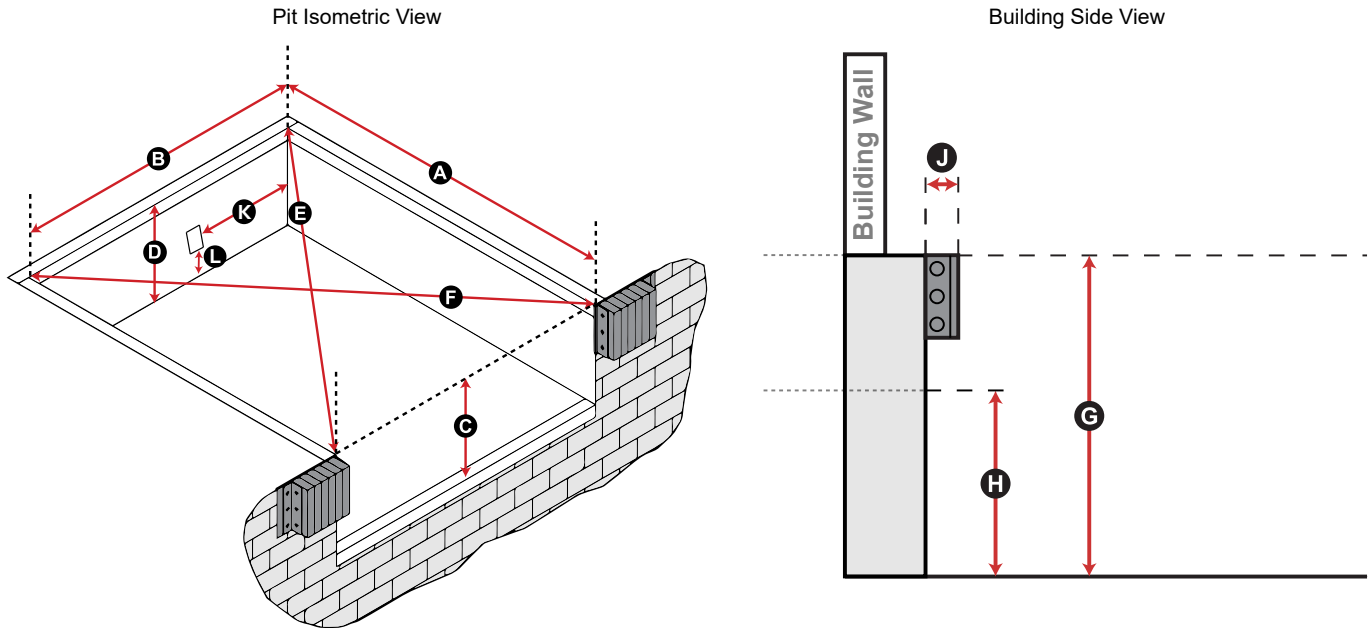
End User Hours of Operation

1-shift operation	2-shift operation	3-shift operation	24/7 operation
-------------------	-------------------	-------------------	----------------

Notes

*Gross Vehicle Weight Rating

Dock Leveler Pit Info



Pit Measurements

Dim "A" (Pit Length)	Dim "B" (Pit Width)	Dim "C" (Front Depth)
Dim "D" (Rear Depth)	Dim "E" (Diagonal 1)	Dim "F" (Diagonal 2)
Dim "G" (Dock Height)*	Dim "H" (Pit Floor to Drive)*	Dim "J" (Bumper Projection)*
Dim "K" (J-Box Horizontal)	Dim "L" (J-Box Vertical)	

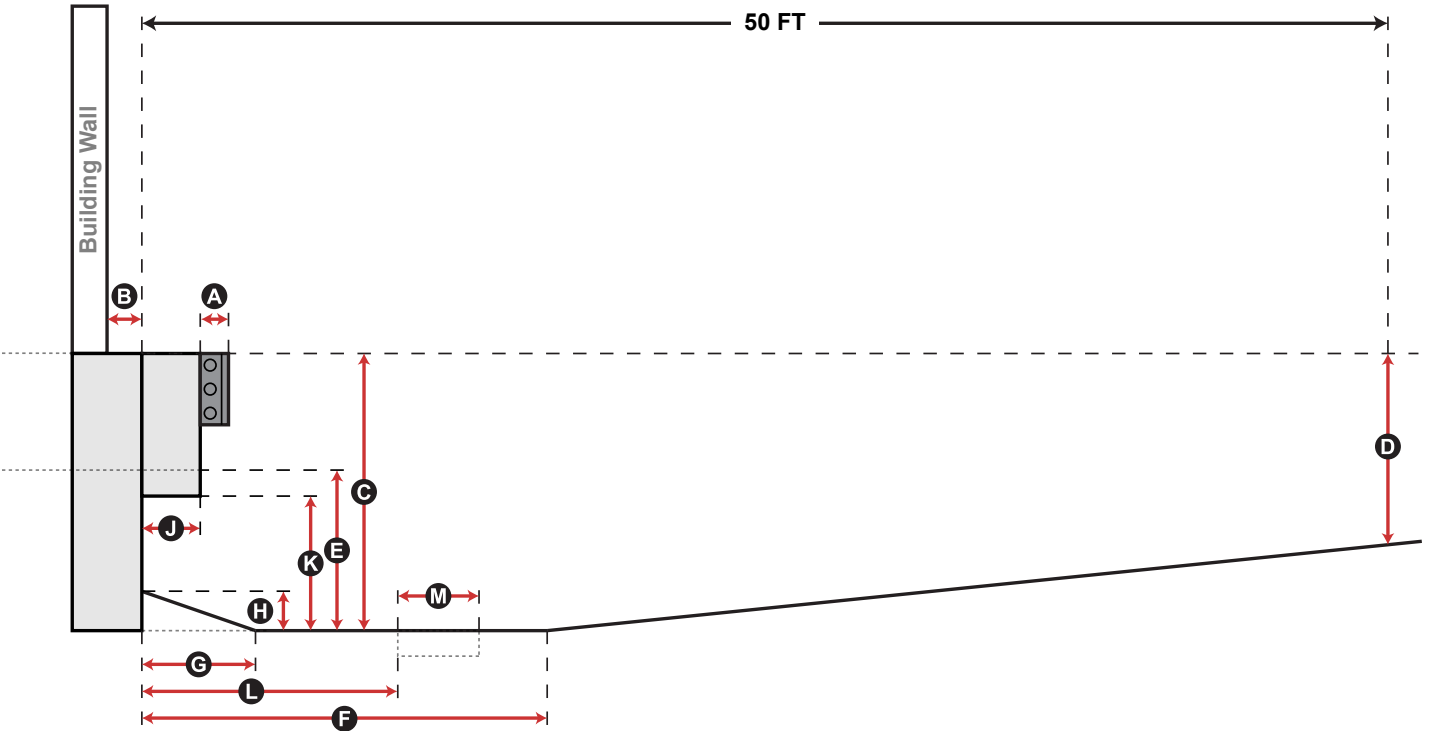
***Note:** If approach is inclined/declined, dock leveler is cantilevered out from building, or vehicle restraint will be installed with dock leveler, page 5 must be completed.

Pit Construction

New Construction		Existing Pit	
If pit is existing, detail condition below:			
Concrete:	Good	Acceptable	Bad
Curb Angle:	Good	Acceptable	Bad
Existing J-Box or conduit in pit?		Yes	No
Existing hose chase(s) in pit?		Yes	No

Notes

Grade and Cantilever Info



Please detail all applicable conditions. If condition is not present at dock position, write "N/A" or "None."

Grade and Cantilever Measurements

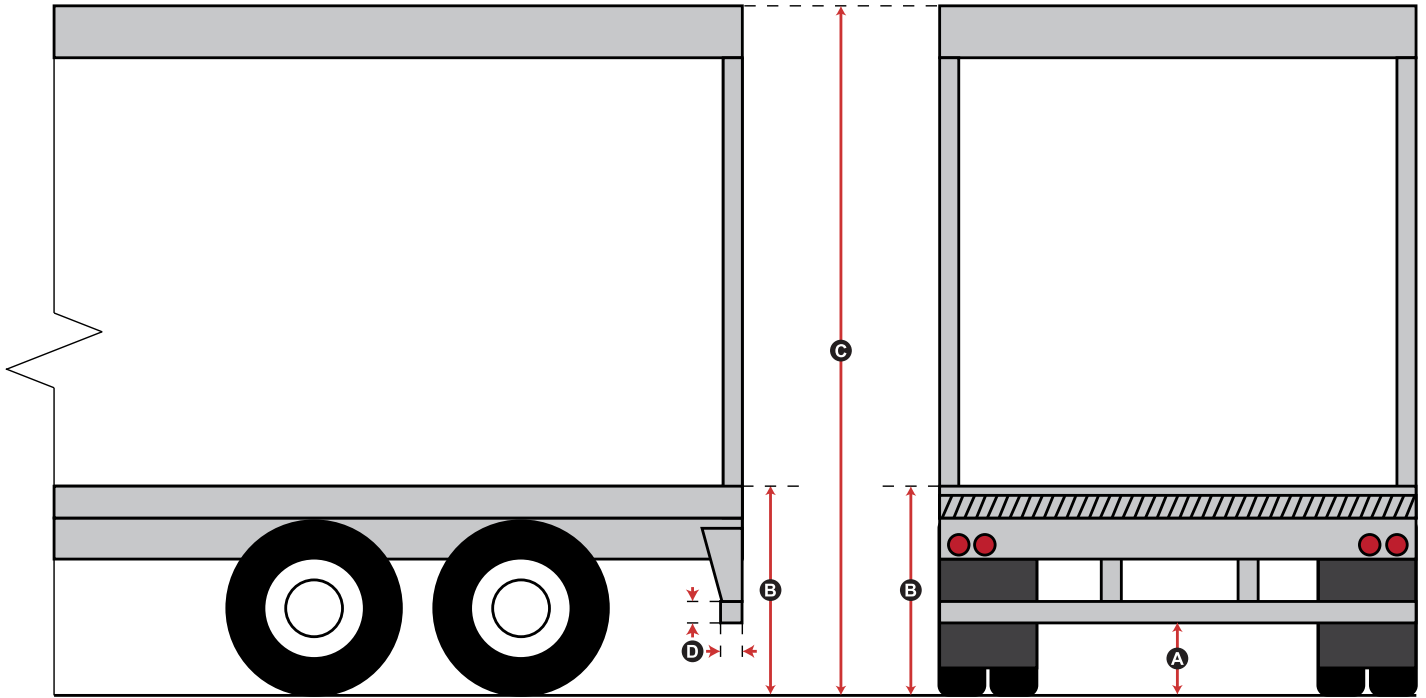
Dim "A" (Bumper Projection)	Dim "B" (Wall Setback)	Dim "C" (Dock Height)
Dim "D" (Dock Height @ 50 Feet)	Dim "E" (Leveler Lip to Drive)	Dim "F" (Dock Face to Start of Incline)
Dim "G" (Length of Incline at Building)	Dim "H" (Height of Incline at Building)	Dim "J" (Cantilever Overhang)
Dim "K" (Cantilever Height or Down to Drive?)	Dim "L" (Dock Face to Trench Drain)	Dim "M" (Trench Drain Length)

Building and Drive Information

Dock Face Construction:	Poured Concrete ≥ 8"	Masonry/Brick/Block	Other (describe below)
Drive Construction	Concrete ≥ 8"	Asphalt	Other (describe below)
Existing restraint steel embed or concrete pad? (Size, Condition?)			

Notes

Truck and Trailer Info



Truck and Trailer Measurements

Truck/Trailer 1	Dim "A" (RIG Bar Height)	Dim "B" (Platform Height)	Dim "C" (Trailer Height)	Dim "D" (RIG Bar Size)
Truck/Trailer 2	Dim "A" (RIG Bar Height)	Dim "B" (Platform Height)	Dim "C" (Trailer Height)	Dim "D" (RIG Bar Size)
Truck/Trailer 3	Dim "A" (RIG Bar Height)	Dim "B" (Platform Height)	Dim "C" (Trailer Height)	Dim "D" (RIG Bar Size)

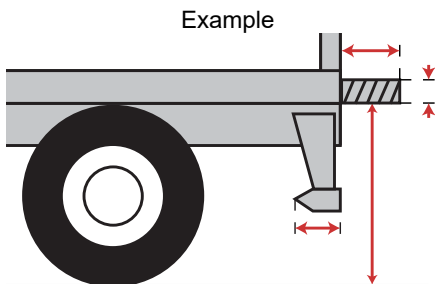
Truck and Trailer Types (select any/all being used)

LTL	Flatbed	Container	Refrigerated	High Cube	Step Van	Cargo Van
-----	---------	-----------	--------------	-----------	----------	-----------

Special Considerations

Yard Jockey usage?	Yes	No	Lift Gate trucks serviced?	Yes	No	
Lift Gate Projection?	Lift Gate Stationary?	Yes	No	Cap on Lift Gate?	Yes	No

Note: If trailer has any obstructions or atypical features such as a step or ledge, a non-rectangular RIG bar, or any other anomalies as shown in example below, please draw said features and measurements in open box below.



Draw Trailer and Make Notes Here

Electrical Control Panel Info

Facility Electrical Supply

Electrical Voltage/Phase Available	Distance - Dock Position to Nearest Electrical Subpanel
------------------------------------	---

Equipment to be Operated by Control Panel

Dock Leveler		Vehicle Restraint		Light Communication System	
Vertical Leveler	Pit Leveler	Automatic	Manual (lights)	Door Operated	Leveler Operated
Overhead Door		Guide Lights		Edge Lights	
Dock Light		Hydraulic Fluid Heater - Reservoir		Hydraulic Fluid Heater - Cylinder	
Switch Only	Switch & Power	Bar Lift Barrier		CentraPower	
Other (describe)					

Control Panel Options

Emergency Stop	Lip Out	
Audible Alarm	Quick Cycle Below Dock End Load	
Auto-Raise	Dual Lanyard Control	
Power Outlet (describe function if selected)		
Disconnect Switch/Branch Circuit Protection (select options)	Supplied Equipment Only	Door Operator Protection
If Door Operator Protection is selected, provide horsepower and full load amperage:	Operator HP	Operator FLA
Auto-Return to Dock Note: Auto-Return to Dock option prohibits the use of iDock Controls and some interlocking options!		

Equipment to be Interlocked

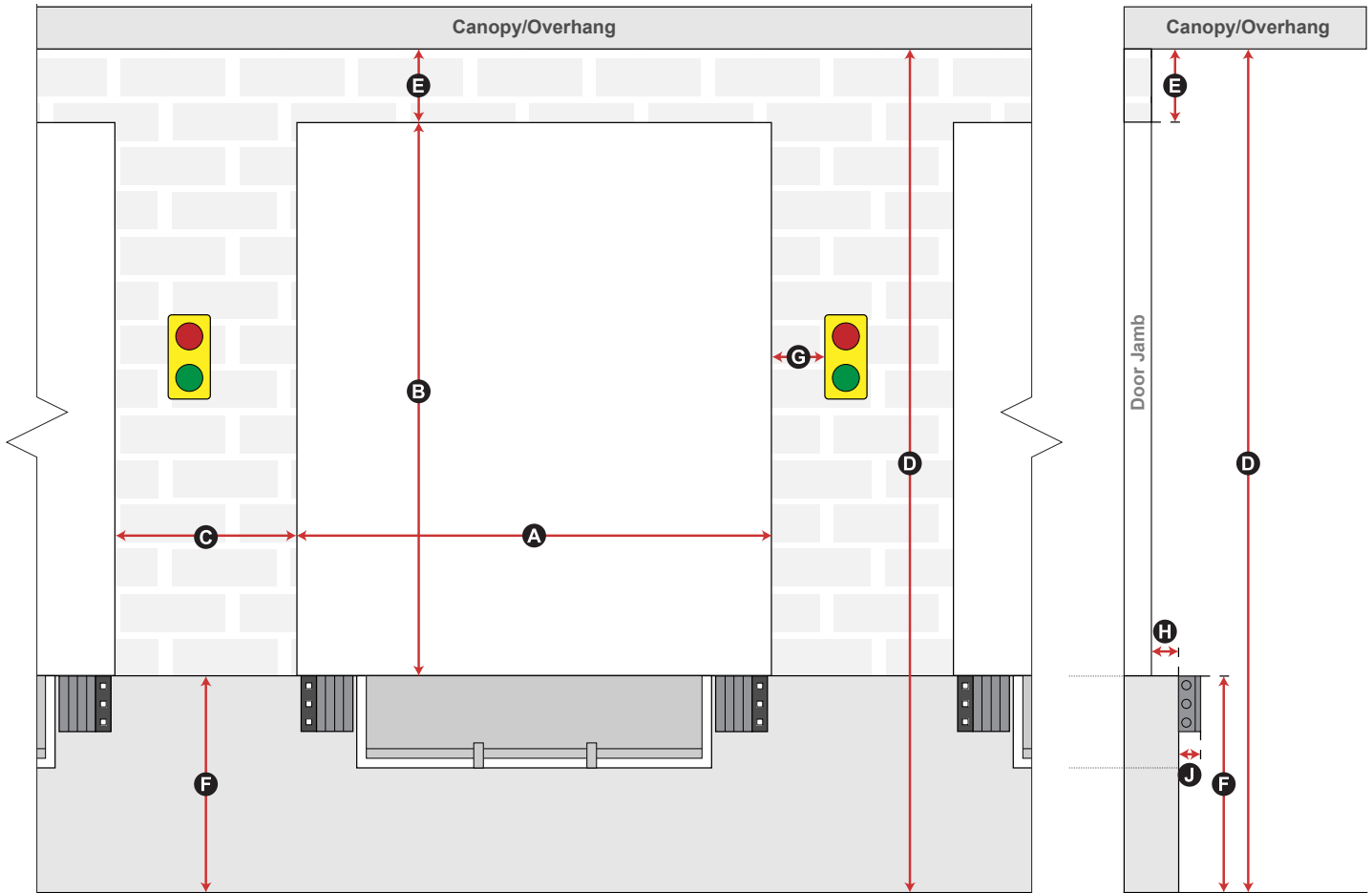
Dock Leveler	Vehicle Restraint	Overhead Door
Other/External Equipment (describe)		

Interlock Dry Contacts Required

Leveler Stored Dry Contact	Restraint Engaged Dry Contact
----------------------------	-------------------------------

Desired Sequence of Operation (describe below)

Dock Seal/Shelter Info



Please detail all applicable conditions. If condition is not present at dock position, write "N/A" or "None."

***Note:** If approach is inclined/declined, dock leveler is cantilevered out from building, or vehicle restraint will be installed with dock leveler, page 5 must be completed.

Door and Building Measurements

Dim "A" (Door Width)	Dim "B" (Door Height)	Dim "C" (Door Spacing)
Dim "D" (Canopy/Overhang Height)	Dim "E" (Door to Canopy/Overhang)	Dim "F" (Dock Height)
Dim "G" (Door to Obstruction/OSLA)	Dim "H" (Wall Setback)	Dim "J" (Bumper Projection)

Wall Construction

Masonry	Metal	Wood	Concrete	Insulated
Corrugated (list depth)		Other (describe)		

Door Jamb Construction

Masonry	Metal	Wood	Concrete	Other (describe)	
---------	-------	------	----------	------------------	--

Miscellaneous

Please use the space below for any miscellaneous notes or job-specific information not provided elsewhere.