

iDock Sensor Retrofit Kit • Installation Overview



Always read and understand the Owner's/User's Manual and become thoroughly familiar with the equipment and its controls before installing or operating equipment. **Failure to read and understand owner's/user's manual may result in voiding of warranty, damage to equipment, death or serious injury!**

iDock controllers with a 7141-0360 Expansion Board installed can retrofit sensors with a program update (via main board exchange or SD card update as required) and the following kit(s):

Fluid Sensor Retrofit Kits

Fluid Sensor Kit Options	
Part Number	Description
7155-0001	Kit, Fluid Sensor, Plastic Reservoir
7155-0002*	Kit, Fluid Sensor, Cookpot Reservoir*

Note: Kits require the installer to provide field wiring (3-wire, 18-gauge minimum) between the fluid sensor and iDock controller to complete installation. Follow all local and applicable national electrical codes.

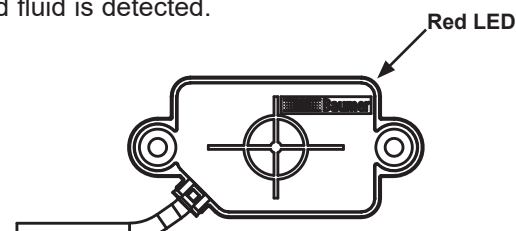
*Kit 7155-0002 additionally requires the installer to provide thread sealant tape and hydraulic fluid meeting or exceeding specification MIL-H-5606 to complete installation.

Installation Overview

1. Ensure work area is barricaded and proper Lock Out/Tag Out procedures are performed during service.
2. Locate the hydraulic fluid reservoir of the motor/pump assembly where the sensor will be installed.
3. Install fluid level sensor to reservoir.
 - Units with plastic reservoirs have an externally mounted sensor that requires no disassembly to install. Refer to print 7155-0001.
 - Units with cookpot reservoirs require disassembly to install the provided pre-drilled reservoir and sensor. Refer to print 7155-0002. Use thread sealant tape where sensor enters reservoir. When assembly is complete, refill reservoir with appropriate amount of hydraulic fluid.
4. Connect fluid sensor wiring to electrical junction box in dock leveler pit or on wall near CentraPower unit.
5. Connect field wires to appropriate terminals in iDock control box. Refer to job-specific iDock wiring diagram for information as specific wiring may vary.
6. Restore power to equipment and verify operation of sensors:
 - Kit 7155-0001 sensor will illuminate a red light when powered and fluid is detected.
 - Kit 7155-0002 sensor will illuminate a blue light when powered and fluid is detected.



7155-0001 sensor



7155-0002 sensor

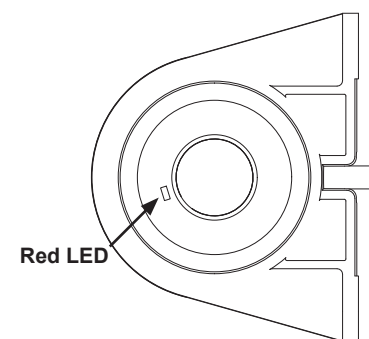
Other Sensor Retrofit Kits

Other Sensor Retrofit Kit Options	
Part Number	Description
7155-0007*	Kit, Vehicle Detection Assembly*
7155-0008*	Kit, Forklift Sensor Assembly
7155-0009	Kit, Leveler Stored Retrofit
7155-0010*	Kit, Door Open Sensor*
7155-0011*	Kit, Door Closed Sensor*

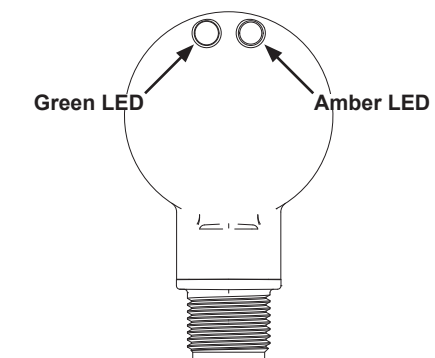
*Vehicle Detection Assembly, Forklift and Door Sensor kits require the installer to provide mounting hardware.

Installation Overview

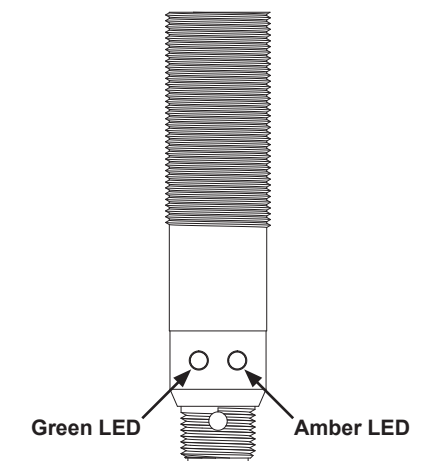
1. Ensure work area is barricaded and proper Lock Out/Tag Out procedures are performed during service.
2. Install sensors at specified location(s). Avoid mounting sensor eyes in direct sunlight for proper performance; some installations may require additional shielding (provided by others).
 - Kits require the installer to drill and install mounting hardware provided by others. Refer to corresponding print for any given kit number.
 - Forklift Sensor Kits can be mounted directly to pre-drilled holes in separately purchased Allied Solutions Track Guard LS. Refer to Track Guard LS Owner's/User's Manual for instructions.
3. Connect sensor wires to appropriate terminals in iDock control box. Refer to iDock wiring diagram supplied with control panel for information.
4. Restore power to equipment and verify operation of sensors:
 - Kit 7155-0007 sensor will illuminate a dim red light when powered and a bright red light when an object is detected. To adjust sensor detection range, follow instructions on print 7155-0007.
 - All other kit sensors will illuminate a green light when powered and an amber light when the sensor is detecting its own reflection. If amber light is flashing, adjust sensor as needed until light is steady on.



7155-0007 sensor



7155-0008 and 7155-0011 sensors



7155-0009 and 7155-0010 sensors