



A Division of Systems, LLC

TPR UNILOCK® SERIES

AUTOMATIC VEHICLE RESTRAINT



- ▶ Push Button Activation
- ▶ iDock® Controls with Interactive Message Display
- ▶ Low profile 9" carriage - service range 9"-30" off grade
- ▶ Advanced cam design rotates hook away from Rear Impact Guard to release "RIG Wedge" pressure
- ▶ Restraining force in excess of 32,000 lb average
- ▶ Locking mechanism maintains engagement on the trailer's Rear Impact Guard (RIG)
- ▶ Universally effective on any obstructed RIG, including inter-modal trailers with cover plates
- ▶ Advanced three-color light communication system
- ▶ IP67 rated motor, submersion proof up to 1 meter
- ▶ On-demand motor operation preserves energy
- ▶ Exclusive designed gear motor keeps hook continuously engaged
- ▶ Made in the USA

GENERAL DESCRIPTION: All McGuire® UniLock® trailer positioned vehicle restraints are designed to secure a cargo trailer's Rear Impact Guard (RIG) to reduce the likelihood of premature trailer separation during the loading/unloading process. The UniLock vehicle restraint features an electric mechanical restraint mechanism, inside iDock control panel, exterior communication lights and instructional signs.

OPERATION: As the truck backs into position, the RIG contacts the UniLock spring loaded structural steel housing which rides down its track, allowing the RIG to position itself on top of the housing. The exterior communication light is green and the interior light is red. Once trailer is positioned against the dock bumpers, the operator presses the ENGAGE button allowing the hook to secure the trailer to the loading dock. Once restrained, the interior light is green allowing the dock attendant to safely enter the trailer while the exterior light is red warning the driver not to pull away from the dock. The UniLock restraint maintains contact with the RIG and adjusts automatically with the trailer float motion to assure proper engagement at all times during the loading/unloading operation. After the loading is complete, the operator presses the RELEASE button, rotating the hook away from the RIG first to remove "RIG Wedge" pressure, and then lowering the hook to a safely stored position, which changes the interior light to red while the exterior light changes to green.

If the UniLock is unable to secure the trailer's RIG, the restraint will communicate the fault condition on the message display and by flashing an amber "caution" light. If ByPass of the system is necessary, it is recommended that you secure the trailer by other means before proceeding with the loading/unloading process. In ByPass mode the exterior light is red and the interior amber caution light accompanies the green light indicating to the dock attendant to proceed with caution.

CONSTRUCTION: The UniLock restraint system is a trailer positioned restraint system designed to be permanently mounted to the loading dock foundation. Restraint back plate and housing shall be in a zinc finish for all weather protection. Once activated, the UniLock seeks the RIG and exerts positive pressure to reduce the possibility of premature trailer separation from the dock. The UniLock secures the trailer with over 32,000 lbs. of pull-out force. The motor is IP67 rated, making it submersion proof in up to 1 meter of water for 30 minutes.

HOOKING RANGE AND CAPACITY: The UniLock restraint system is designed to withstand a pulling force in excess of 32,000 lbs., giving an added margin of safety and protection. Maximum operational range is 4" to 10" horizontally from face of dock bumpers, and 9" to 30" vertically above drive approach.

ELECTRICAL: The UniLock vehicle restraint is available as a stand alone unit or combined electronically in a single integrated control panel with your dock leveler selection. Electric motor is 1/10 HP TENV 115v single phase. Interior and exterior 12 volt LED lights are powered by an integral transformer located in the control panel.

Please Note: Unless specifically noted on quotation, all electrical requirements, including mounting of control box, outside lights and signs, are the responsibility of others.

EXTERIOR LIGHTS: Low profile, traffic style, red, and green LED lights are standard for communication to truck driver. A set of caution signs warns truck driver to "Back In or Pull Out On Green Light Only".

INSTALLATION: Requires mounting of locking unit, control panel, exterior lights and signs in strict accordance with McGuire® installation instructions. UniLock can be welded to an optional new construction embed plate or by installing 15 anchor bolts (included) plus 16" of weld to dock curb steel. Mechanical installation is recommended to be performed only by authorized McGuire Representative.

WARRANTY: All UniLock vehicle restraints feature a full one (1) year base warranty on all structural, mechanical and electrical parts, including freight and labor charges in accordance with McGuire's Standard Warranty Policy. McGuire warrants all components to be free of defects in materials and workmanship, under normal use, during the warranty period. This base warranty period begins upon the completion of installation or the sixtieth (60th) day after shipment, whichever is earlier the completion of installation or the sixtieth (60th) day after shipment, whichever is earlier.

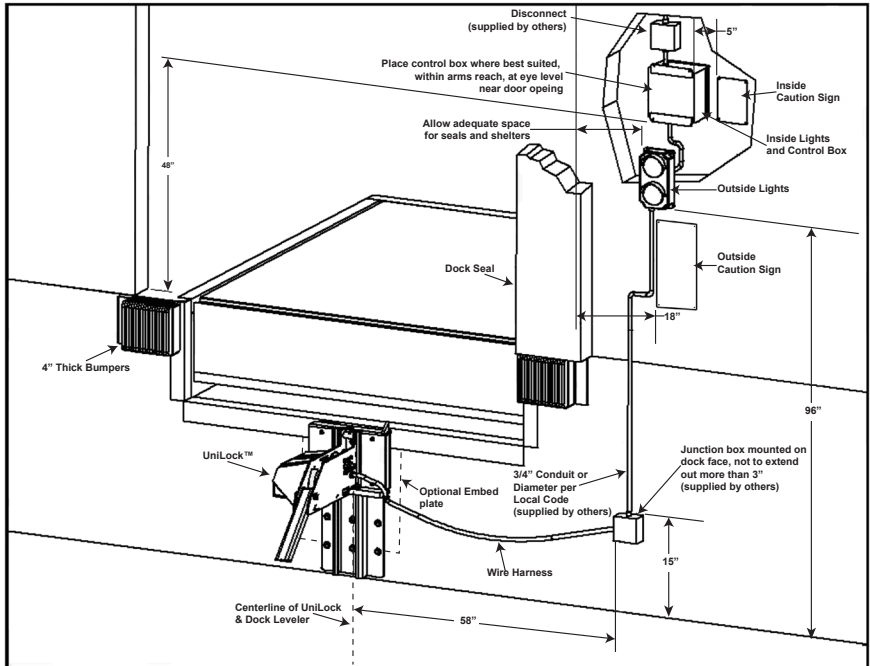
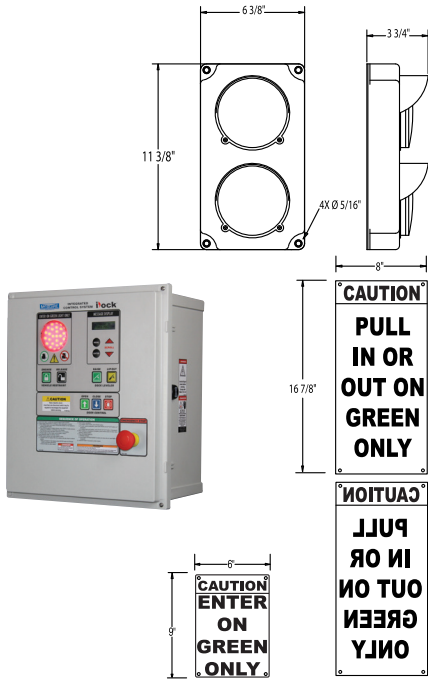
VEHICLE RESTRAINT



A Division of Systems, LLC

TPR UNILOCK® SERIES

AUTOMATIC VEHICLE RESTRAINT



Optional Equipment for UniLock Automatic Vehicle Restraint

Check Options Desired

- Integrated Control Panel
- Green Light Interlock with Leveler
- Cantilever Bracket _____ Projection
- Pit Floor Mounting Plate
- Embed Mounting Plate 20"x20"
(Recommended on New Construction)

- Approach Plate with Bracing
(Brick and Block wall recommended)
- Special Nema _____ Enclosure
- Other _____
- Other _____
- Other _____

*Options must also be selected on the iDock Controls specification sheet.

Customer: _____
 Job: _____
 Location: _____
 Number of Units: _____
 Model: _____
 Represented By: _____
 Sales Rep: _____

Certified for Construction:
 By: _____
 Title: _____
 Date: _____
 Company: _____
 City: _____
 State: _____

Consistent with our policy of continuing product improvement, we reserve the right to change product specifications without notice or obligation.

McGuire • Division of Systems, LLC • W194 N11481 McCormick Dr. • P.O. Box 309 • Germantown, WI 53022
Phone: 800.624.8473 • Fax: 262.255.9399 • www.wbmcguire.com

VEHICLE RESTRAINT