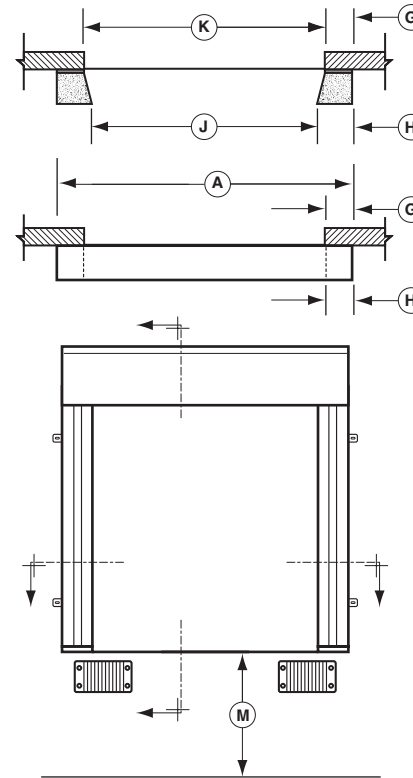
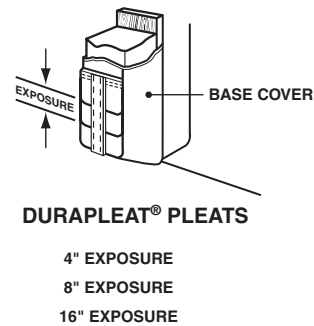
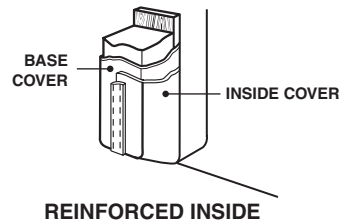
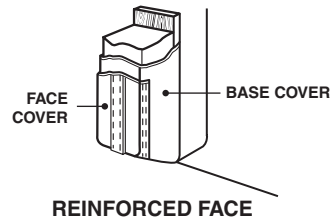
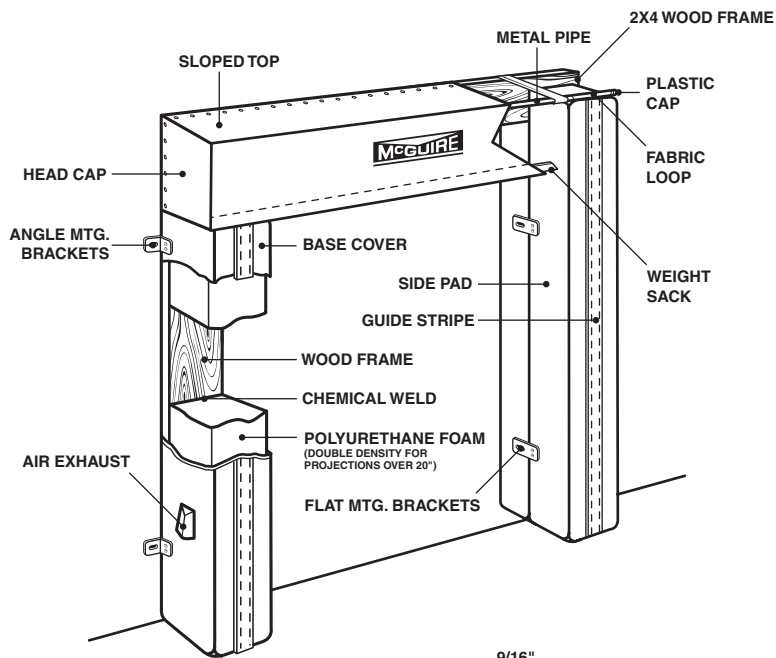
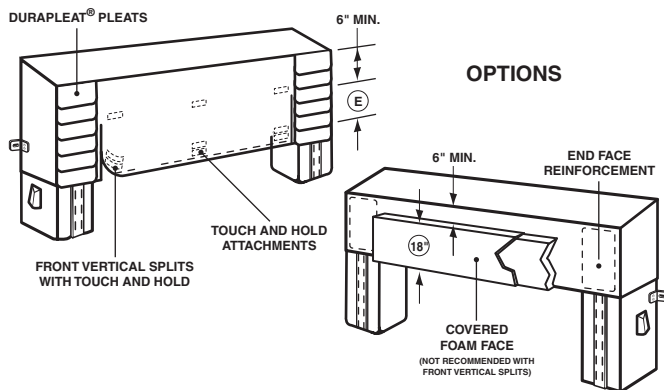
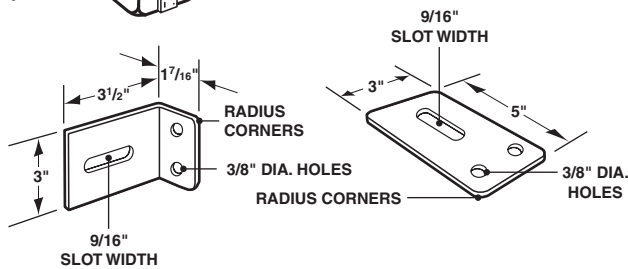
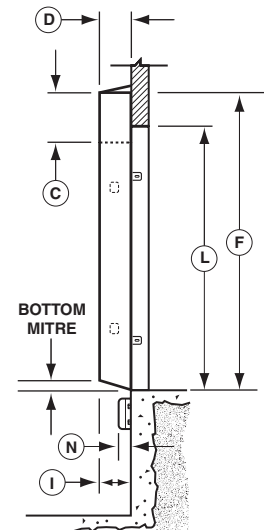


TS103
CURTAIN HEAD
DOCK SEAL



BEVELED SIDE PADS



- HEAD CAP DATA**
- ___ "A" WIDTH
___ "C" HEIGHT AT FACE
___ "D" TOTAL PROJECTION
___ BASE FABRIC
___ COLOR
- END FACE REINFORCEMENT
___ FABRIC
___ COLOR
- DURAPLEAT® ENDS
___ FABRIC
___ COLOR
___ "P" PLEAT EXPOSURE
- FRONT VERTICAL SPLITS
___ "E" SPLIT HEIGHT (C-6" = MAX. SPLIT)
- TOUCH AND HOLD ATTACHMENT
- ROPE/PULLEY SYSTEM

- COVERED FOAM FACE
4" THICK X 18" HIGH X
"J" SIDE PAD FACE I.D.
- SIDE PAD DATA**
- ___ "F" LENGTH AT REAR
___ "G" WIDTH AT REAR
___ "H" WIDTH AT FACE
___ "D" TOTAL PROJ. AT TOP
___ "I" TOTAL PROJ. AT BOTTOM
___ "J" SIDE PAD FACE I.D.
___ BASE FABRIC
___ COLOR
- BLOCKOUT (IF REQUIRED)
PROJ: ___ TOP ___ BOTTOM
___ FABRIC
___ COLOR
- FACE REINFORCEMENT
___ FABRIC
___ COLOR

- INSIDE EDGE REINFORCEMENT
___ FABRIC
___ COLOR
- DURAPLEAT® PLEATS
___ FABRIC
___ COLOR
___ "P" PLEAT EXPOSURE
- FORMED STEEL BACK
 PAINTED GALVANIZED
- NON-ROT BACK

GENERAL INFORMATION

___ "K" DOOR WIDTH
___ "L" DOOR HEIGHT
___ "M" DOCK HEIGHT
___ "N" DOCK BUMPER/LEDGE COMBINED PROJECTION

DRIVE APPROACH:
 LEVEL DECLINED INCLINED

FB- ___ QTY. ___ SHEET ___ OF ___



205 BROADVIEW STREET • P.O. BOX 151
UPPER SANDUSKY, OH 43351
PHONE 1.800.262.1188
FAX 419.294.4980
WWW.WBMCQUIRE.COM

JOB: _____

LOCATION: _____

CONTRACTOR: _____ ARCHITECT: _____

APPROVED BY SIGNATURE: _____