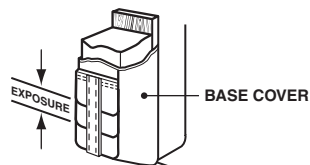
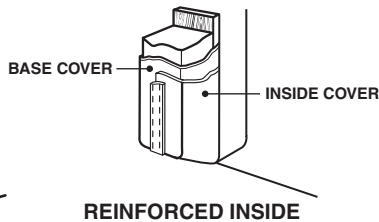
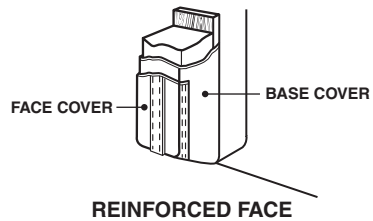
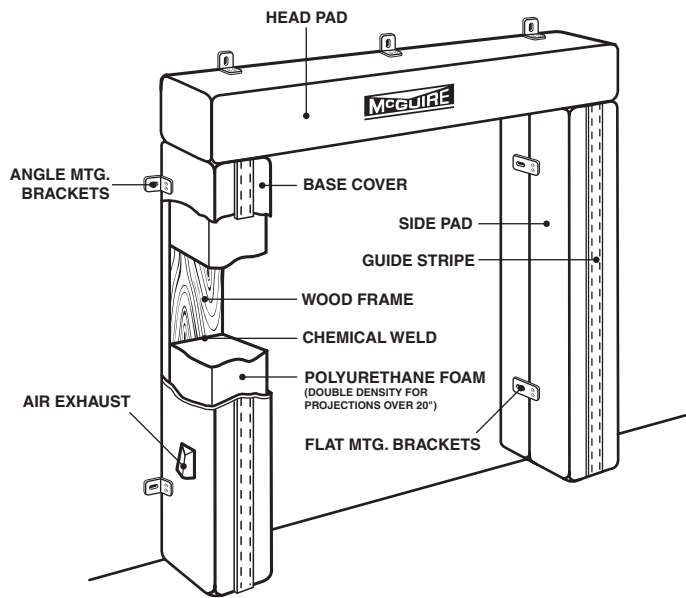
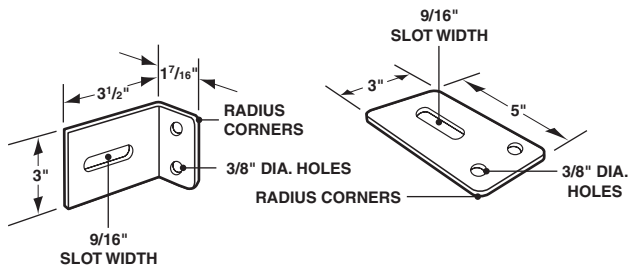
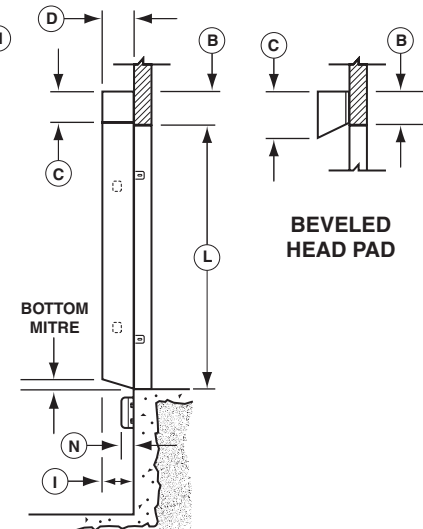
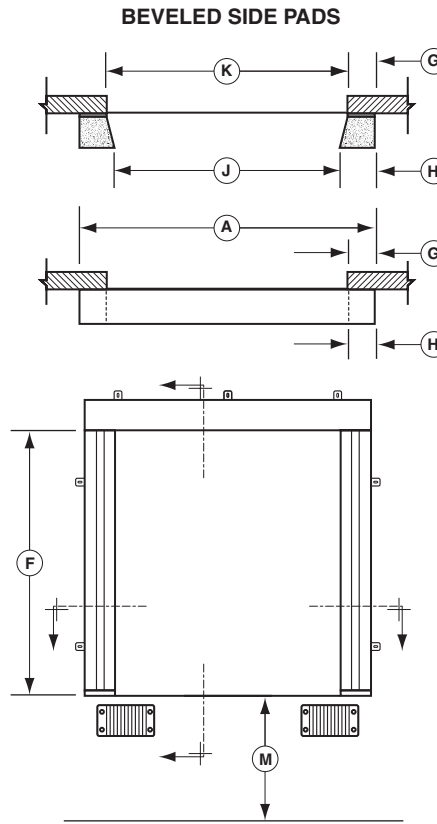


**TS101
FIXED HEAD DOCK SEAL**

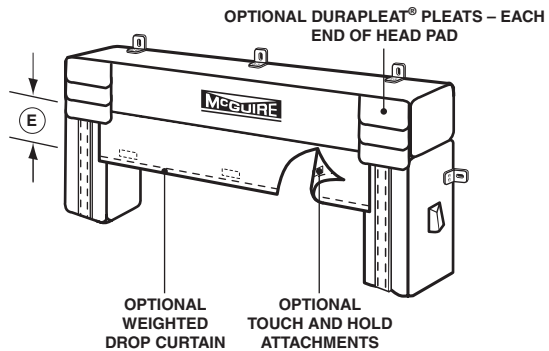


DURAPLEAT® PLEATS

- 4" EXPOSURE
- 8" EXPOSURE
- 16" EXPOSURE



ANGLE AND FLAT MOUNTING BRACKETS



HEAD PAD DATA

- MOUNTING: OVER SIDE PADS
 BETWEEN SIDE PADS
- "A" WIDTH AT REAR
— "B" HEIGHT
— "C" HEIGHT AT FACE
— "D" TOTAL PROJECTION
— BASE FABRIC
— COLOR
- BLOCKOUT (IF REQUIRED)
PROJ: _____
FABRIC _____
COLOR _____
- FACE REINFORCEMENT
FABRIC _____
COLOR _____
- UNDERSIDE REINFORCEMENT
FABRIC _____
COLOR _____
- DURAPLEAT® ENDS
FABRIC _____
COLOR _____
— "I" PLEAT EXPOSURE
- FORMED STEEL BACK
 PAINTED GALVANIZED

- NON-ROT BACK
- WEIGHTED DROP CURTAIN
— "E" HEIGHT
— FABRIC _____
— COLOR _____
- TOUCH & HOLD ATTACHMENT
- ROPE/PULLEY SYSTEM

SIDE PAD DATA

- "F" LENGTH AT REAR
— "G" WIDTH AT REAR
— "H" WIDTH AT FACE
— "D" TOTAL PROJ. AT TOP
— "I" TOTAL PROJ. AT BOTTOM
— "J" SIDE PAD FACE I.D.
— BASE FABRIC _____
— COLOR _____
- BLOCKOUT (IF REQUIRED)
PROJ: _____ TOP _____ BOTTOM
- FACE REINFORCEMENT
FABRIC _____
COLOR _____

- INSIDE EDGE REINFORCEMENT
— FABRIC _____
— COLOR _____
- DURAPLEAT® PLEATS
— FABRIC _____
— COLOR _____
— "PLEAT EXPOSURE" _____
- FORMED STEEL BACK
 PAINTED GALVANIZED
- NON-ROT BACK

GENERAL INFORMATION

- "K" DOOR WIDTH
— "L" DOOR HEIGHT
— "M" DOCK HEIGHT
— "N" DOCK BUMPER/LEDGE COMBINED PROJECTION

DRIVE APPROACH:

- LEVEL DECLINED INCLINED

FB- _____ QTY. _____ SHEET _____ OF _____



205 BROADVIEW STREET • P.O. BOX 151
UPPER SANDUSKY, OH 43351
PHONE 1.800.262.1188
FAX 419.294.4980
WWW.WBMCGUIRE.COM

JOB: _____

LOCATION: _____

CONTRACTOR: _____ ARCHITECT: _____

APPROVED BY SIGNATURE: _____