

# iDock® 2.0 Controls

## Specification Sheet & Submittal



### Standard Features

Advanced controls of loading dock equipment	Integrated controls of all Poweramp dock equipment and dock door installed
Interactive message display with system information	3-color light communication system
View equipment usage and maintenance history	NEMA 3R nonmetallic enclosure
Backlit, raised dome-button design for ease of use	Integrated video
Fault code troubleshooting display and internal LED lights	Designed and manufactured in the USA

### General Description

iDock Controls are technologically advanced push-button controllers and light communication used with various McGuire loading dock equipment. iDock Controls are standard with all automatic McGuire vehicle restraints, used with or without dock levelers.

### Construction

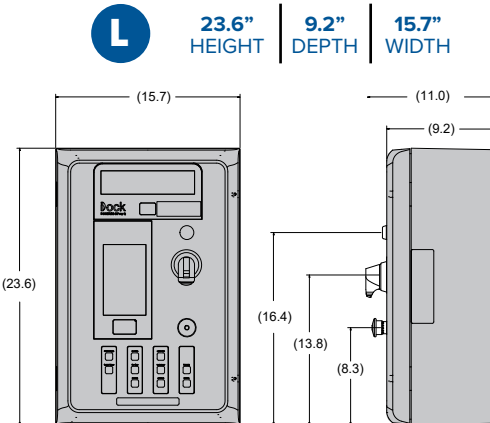
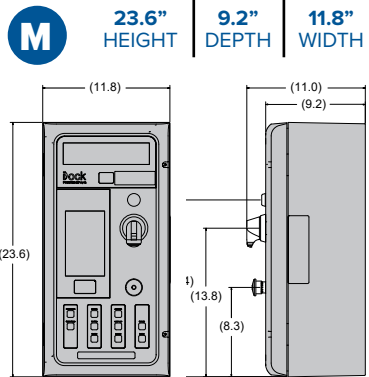
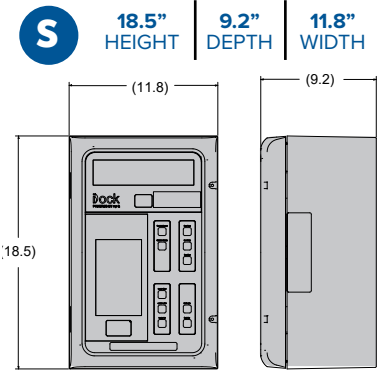
iDock Controls are made with UL 3R Nonmetallic enclosures. The controls feature a modular design to reduce maintenance costs. 3-in-1 light assembly on the controller shows the state of the station and whether it is safe to enter the trailer. LCD display shows status of controls and explains fault conditions. Backlit, raised dome-buttons provide positive feedback and guide users through operation.

### Touch Interface

iDock Controls feature an interactive LCD message display for equipment information, system information, maintenance history, counters, and settings. The Display will also provide notices of faults, or instructions for Bypass Restraint mode, the ability to lock the iDock controller, or a sequence of operation.

### Warranty

iDock 2.0 Controls feature a full one (1) year base warranty on mechanical and electrical parts, including freight and labor charges in accordance with Systems, LLC's Standard Warranty Policy. Systems, LLC warrants all components to be free of defects in materials and workmanship, under normal use, during the warranty period. This base warranty period begins upon the completion of installation or the sixtieth (60th) day after shipment, whichever is earlier.



## Order Specifications

Equipment and Options with iDock Controls (Select all that apply)		
Restraints	Levelers	Interlocking (Select one)
<input type="checkbox"/> TPR UniLock® <input type="checkbox"/> TPR® <input type="checkbox"/> Stop-Tite® AAL <input type="checkbox"/> Stop-Tite® MAL <input type="checkbox"/> UniChock™ <input type="checkbox"/> UXL <input type="checkbox"/> Light Communication Only - See OPTIONS	<input type="checkbox"/> Hydraulic Pit Leveler _____ Series <input type="checkbox"/> Pneumatic Pit Leveler _____ Series <input type="checkbox"/> Edge-of-Dock_____ Series <input type="checkbox"/> Mechanical Leveler_____ Series <input type="checkbox"/> Vertical Storing (VSH)	<input type="checkbox"/> None <input type="checkbox"/> (1) Restraint Engaged Before Leveler Operate <input type="checkbox"/> (2) Restraint Engaged Before Door Open <input type="checkbox"/> (3) Leveler Stored Before Restraint Release <input type="checkbox"/> (4) Leveler Stored Before Door Closed <input type="checkbox"/> (5) Door Open Before Restraint Engage <input type="checkbox"/> (6) Door Closed Before Restraint Release <input type="checkbox"/> Combination 1/3 <input type="checkbox"/> Combination 2/6 <input type="checkbox"/> Combination 1/2/3/4/6 <input type="checkbox"/> Combination 5/1/3/4 <input type="checkbox"/> Combination 1/3/4
Options (Select all that apply)		
<input type="checkbox"/> Audible Alarm <input type="checkbox"/> Emergency Stop Push Button <input type="checkbox"/> Independent Lip Control <input type="checkbox"/> Below Dock End Cycle Control (Requires Independent Lip Controls) <input type="checkbox"/> Close Door to Reset Lights <input type="checkbox"/> Leveler Stored Indication Light <input type="checkbox"/> LiftMaster Logic 5.0 Maintenance System Monitoring <input type="checkbox"/> LiftMaster Maxum Garage Door Opener <input type="checkbox"/> Light Communication System (Select One) <ul style="list-style-type: none"> <li><input type="checkbox"/> Manual Control</li> <li><input type="checkbox"/> Automatic Control with Leveler Position</li> <li><input type="checkbox"/> Automatic Control with Door Position</li> </ul> <input type="checkbox"/> 3-Button Door Controls <input type="checkbox"/> Dock Light (Select One) <ul style="list-style-type: none"> <li><input type="checkbox"/> Manual Control (On/Off)</li> <li><input type="checkbox"/> Automatic Control with Door Position</li> <li><input type="checkbox"/> Automatic Control with Leveler Position</li> </ul> <input type="checkbox"/> Edge Light Controls	<input type="checkbox"/> Guide Light Controls (1 Light or 3 Light) <input type="checkbox"/> Sensor(s) <ul style="list-style-type: none"> <li><input type="checkbox"/> Fluid Level</li> <li><input type="checkbox"/> Forklift Activity</li> <li><input type="checkbox"/> Vehicle Present</li> </ul> <input type="checkbox"/> Signal to External Equipment (Dry Contact) <ul style="list-style-type: none"> <li><input type="checkbox"/> Restraint Engaged or in Bypass</li> <li><input type="checkbox"/> Leveler Stored</li> <li><input type="checkbox"/> Vehicle Present</li> </ul> <input type="checkbox"/> External Equipment Interlocking (Signal to Allow Operation) (Select One) <ul style="list-style-type: none"> <li><input type="checkbox"/> Prevent Leveler Operation</li> <li><input type="checkbox"/> Prevent Door Operation</li> <li><input type="checkbox"/> Restraint Release</li> <li><input type="checkbox"/> All Operation (All 3 of the Above)</li> </ul> <input type="checkbox"/> Disconnect (Select One) <ul style="list-style-type: none"> <li><input type="checkbox"/> Rotary Fused</li> <li><input type="checkbox"/> Rotary Non-Fused</li> <li><input type="checkbox"/> Flange Fused</li> <li><input type="checkbox"/> Flange Non-Fused</li> </ul> <input type="checkbox"/> Receptacle <input type="checkbox"/> RFID Card Reader <input type="checkbox"/> Mounting Side of Dock (looking out of the building) <ul style="list-style-type: none"> <li><input type="checkbox"/> Left of Dock</li> <li><input type="checkbox"/> Right of Dock</li> </ul>	<input type="checkbox"/> 115V / 1PH / 60HZ <input type="checkbox"/> 208V / 1PH / 60HZ <input type="checkbox"/> 230V / 1PH / 60HZ <input type="checkbox"/> 208V / 3PH / 60HZ <input type="checkbox"/> 230V / 3PH / 60HZ <input type="checkbox"/> 460V / 3PH / 60HZ <input type="checkbox"/> 575V / 3PH / 60HZ <input type="checkbox"/> 230V / 1PH / 50HZ <input type="checkbox"/> 400V / 3PH / 50HZ
		Voltage (Select one)

### Required Information

CUSTOMER	_____
JOB	_____
LOCATION	_____
NUMBER OF UNITS	_____
MODEL	_____
SIZE	_____
REPRESENTED BY	_____
SALES REP	_____

### Certified for Construction

BY	_____
DATE	_____
COMPANY	_____
CITY & STATE	_____
VOLTAGE / PHASE	_____
DRAWING #	_____