



- ▶ Accommodates High Volume & Varying Trailer Heights
- ▶ Standard 12" High Head Pad, Mounted on Galvanized Steel Frame that Travels in Slide Tracks
- ▶ Normal 18" Head Pad Travel Accommodates Most Trailers, Optional Travels Available
- ▶ Full Width Follower Curtain Attached to Adjustable Head Pad Closes Off the Opening Automatically
- ▶ Galvanized Metal Hood Encloses & Protects the Counterbalance Mechanism
- ▶ Yellow Guide Stripes to Assist Positioning of Trailers
- ▶ All Pads Are Vented for Air & Moisture Release
- ▶ Quick Recovery, Highly Resilient, Endurance Tested Foam Compresses Easily & Yet Maintains Original Shape
- ▶ Foam is Chemically Welded to Double Kiln Dried Pressure Treated Lumber with Non-flammable Adhesive
- ▶ Wide Selection of Highly Durable Fabrics & Wear Surfaces to Maximize Durability

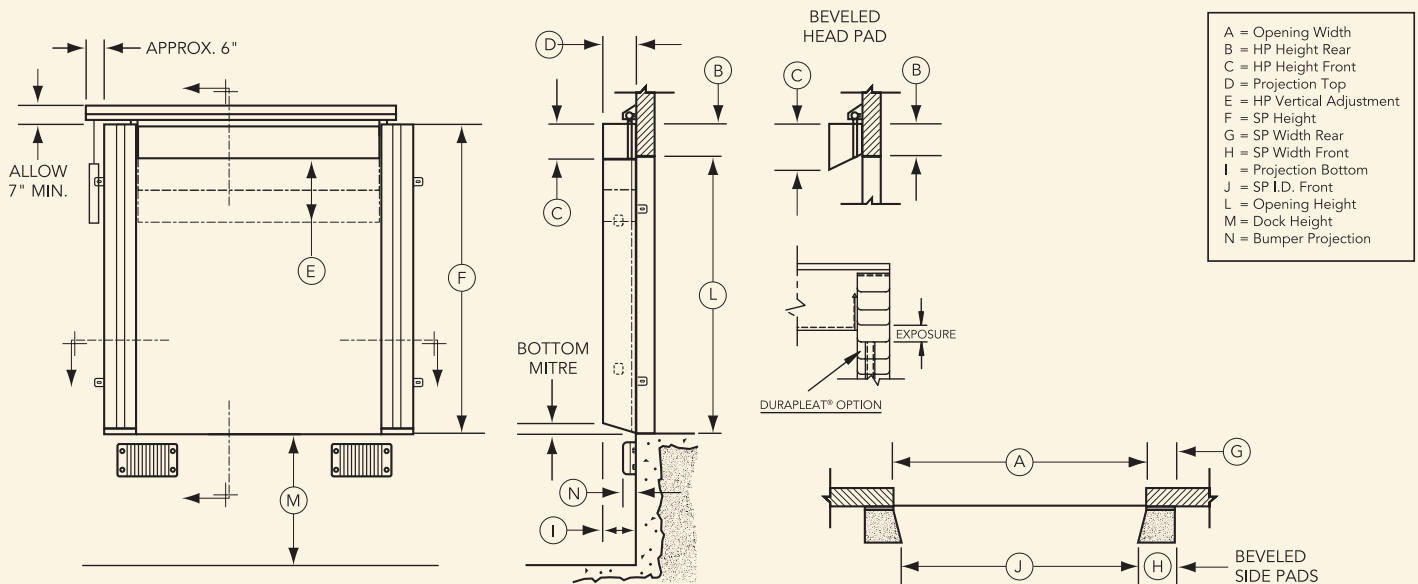
Specifications

Specifications: Dock Seals shall be model TS _____ as provided by W.B. McGuire™ Company to fit a door opening _____ wide x _____ high. Side pad covers shall wrap behind the wood frames and be secured with electro galvanized steel staples for weather-tight construction. The head pad cover shall attach to the steel frame by means of self-sealing screws through grommets in the hemmed perimeter. Adequate air exhausts and drain holes are to be provided in covers, and both shall be designed to prohibit moisture infiltration. Side pads shall include full length, highly visible guide stripes. Mounting hardware shall be galvanized steel.

Standard unit shall consist of two side pads that mount vertically along both sides of the door opening. The head pad shall be equipped with steel guide pins that glide in the formed steel track which is to be mounted at the upper area of each side jamb. A full width follower curtain shall wrap around the curtain shaft which is held in place by sealed ball bearings at each end. The counterweight connection to the cable drum by the means of a stainless steel cable shall provide for the effortless rotation of the curtain shaft. A galvanized metal hood is provided to enclose the counterbalance mechanism. Various pad widths, projections, tapers and bevel shapes are available.

Options

- Base Fabric:** (in a variety of colors)
- Truk Flex™ (heavy usage)
 - Rough Flex™ (medium usage)
 - 22 oz. Vinyl (medium usage)
 - 40 oz. Vinyl (medium/heavy usage)
 - 16 oz. Hypalon® (light – base cover only)
- Durapleat®:**
- 4" exposure
 - 8" exposure
 - 16" exposure
 - Beveled side pads
 - Tapered side pads
 - Additional projections beyond 10" standard
 - Counterweight covers



W.B. McGuire™ Company
 205 Broadview Street
 P.O. Box 151
 Upper Sandusky, OH 43351
 Phone 1.800.262.1188
 Fax 419.294.4980
www.wbmcguire.com