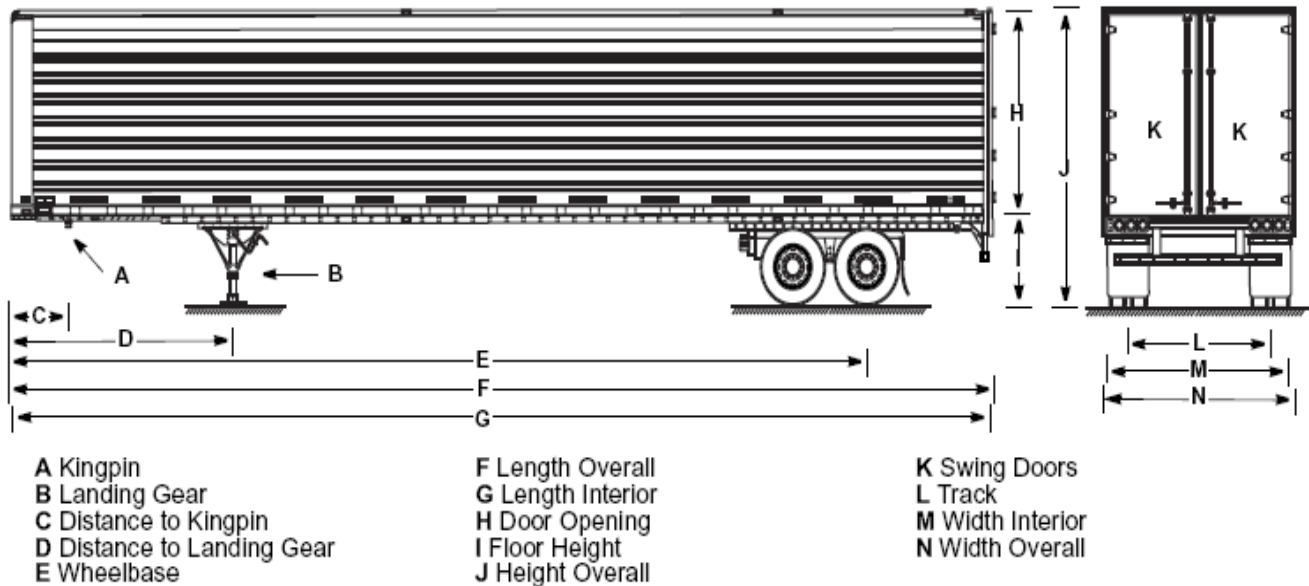


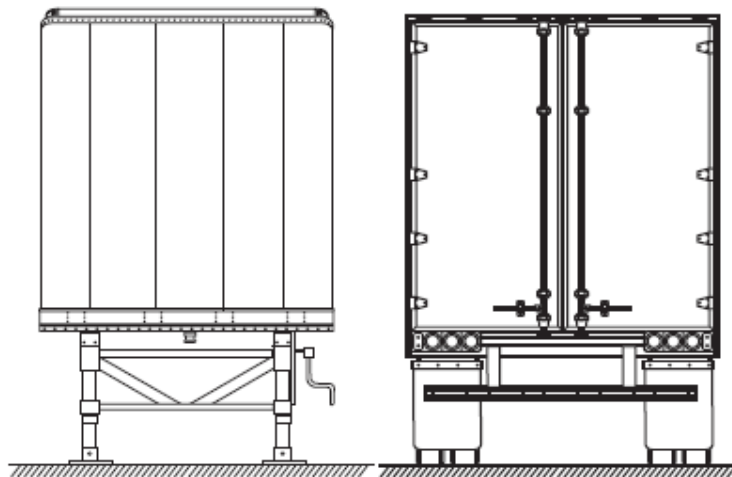
A Guide to Truck Trailers



Notes:

- Truck trailers can vary significantly depending on the manufacturer and load requirements and the state roadway regulations, **make sure** to check the state you are in for regulations and guidelines
- This is only a guide, and should not be used as a final word in dock planning
- Be sure to verify incoming freight trailers with the customer to ensure all scenarios are covered

Standard Freight Trailer



Front View - Trailer above
"Landing Gear" below

Rear View
(Note swing doors)

- Used to carry most freight (boxed, crated, palletized, etc)
- Common lengths: 28', 32', 36', 40', 42', 43', 45', 48', 53'
- Common widths: 96" – 102" (8'–8.5')
- Common heights: 12.5' – 13.5'
- Common axle/wheel ratios: 2 axle/8-wheel, heavy loads use 3 axle/12 wheel or 4 axle/ 16 wheel configurations

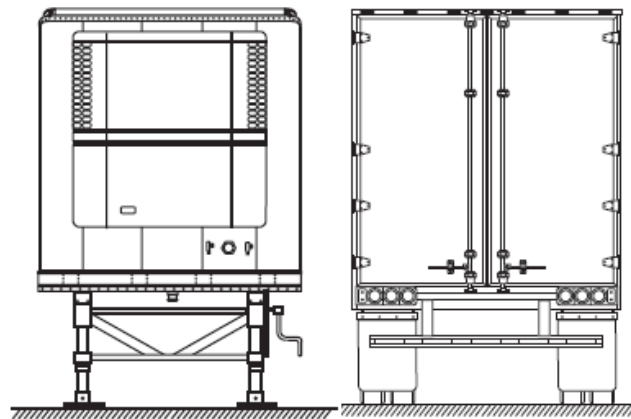
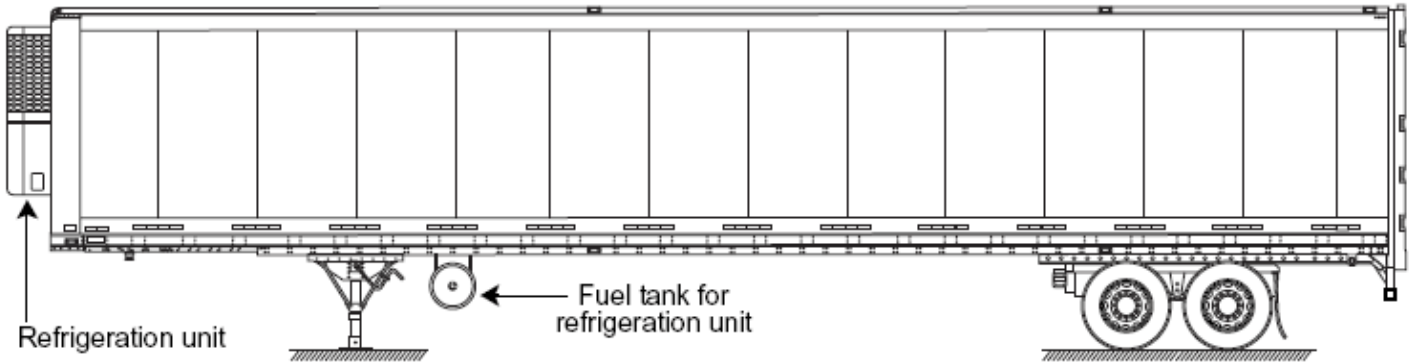


A Division of Systems, Inc.

Common Dimensions of Standard Truck Trailers

OVERALL			INTERIOR			REAR SWING DOOR		CAPACITY (volume)	TARE
Length	Width	Height	Length	Width	Height	Width	Height		
40'	96"	12' 6"	39' 6"	92.5"	94.5"	92"	92"	2,398 cu ft	11,300 lbs
	96"	13' 0"	39' 6"	92.5"	100.5"	92"	98"	2,550 cu ft	11,400 lbs
	96"	13' 6"	39' 6"	92.5"	106.5"	92"	104"	2,702 cu ft	11,500 lbs
42' / 43'	96"	12' 6"	41' 6"/42' 6"	92.5"	94.5"	92"	92"	2,549 cu ft	11,800/12,000 lbs
	96"	13' 0"	41' 6"/42' 6"	92.5"	100.5"	92"	98"	2,711 cu ft	11,900/12,100 lbs
	96"	13' 6"	41' 6"/42' 6"	92.5"	106.5"	92"	104"	2,873 cu ft	12,000/12,200 lbs
45'	96"	12' 6"	44' 6"	92.5"	94.5"	92"	92"	2,701 cu ft	12,400 lbs
	96"	13' 0"	44' 6"	92.5"	100.5"	92"	98"	2,873 cu ft	12,500 lbs
	96"	13' 6"	44' 6"	92.5"	106.5"	92"	106"	3,044 cu ft	12,600 lbs
	102"	13' 6"	44' 6"	92.5"	106.5"	98"	106"	3,242 cu ft	12,950 lbs
48'	96"	13' 6"	47' 6"	92.5"	106.5"	92"	106.5"	3,250 cu ft	13,200 lbs
	102"	13' 6"	47' 6"	98.5"	100.625"	98"	100.625"	3,464 cu ft	13,500 lbs
	102"	13' 6"	47' 6"	98.5"	108"	98"	108"	3,509 cu ft	13,500 lbs
53'	102"	13' 6"	47' 6"	98.5"	107.375"	94"	102"	3,489 cu ft	14,400 lbs
48' Wedge	102"	13' 6"	47' 6"	98.5"	Front 108" Rear 110"	98"	110"	3,542 cu ft	13,500 lbs
53' Wedge	102"	13' 6"	52' 6"	98.5"	Front 108" Rear 110"	98"	110"	3,914 cu ft	14,400 lbs

Reefer (Refrigerated) Truck Trailer



Front View
(Note refrigeration unit
at top)

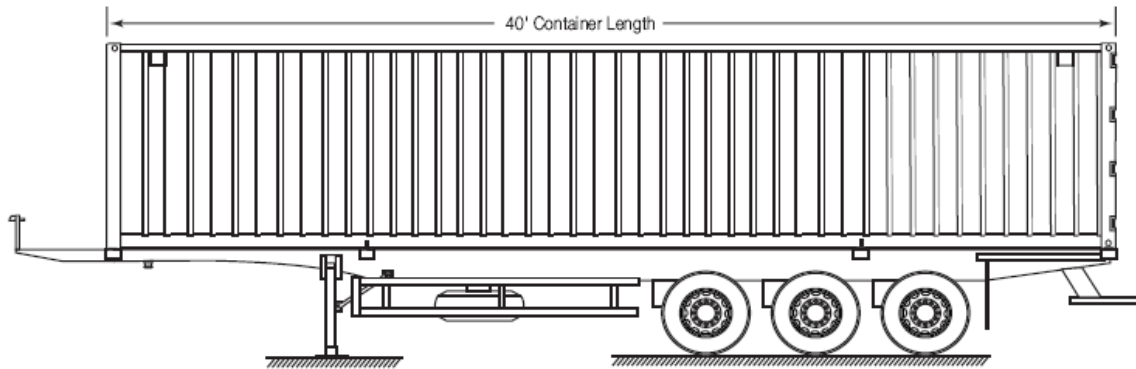
Rear View
(Note swing doors)

- Reefers are refrigerated by a unit commonly at the front of the trailer and are insulated to transport perishable goods
- Common lengths: 28', 32', 36', 40', 48', 53'
- Common widths: 96"—102" (8'—8.5')
- Common heights: 12.5"—13.5"
- Common axle/wheel ratios: 2 axle/8-wheel, heavy loads use 3 axle/12 wheel or 4 axle/ 16 wheel configurations

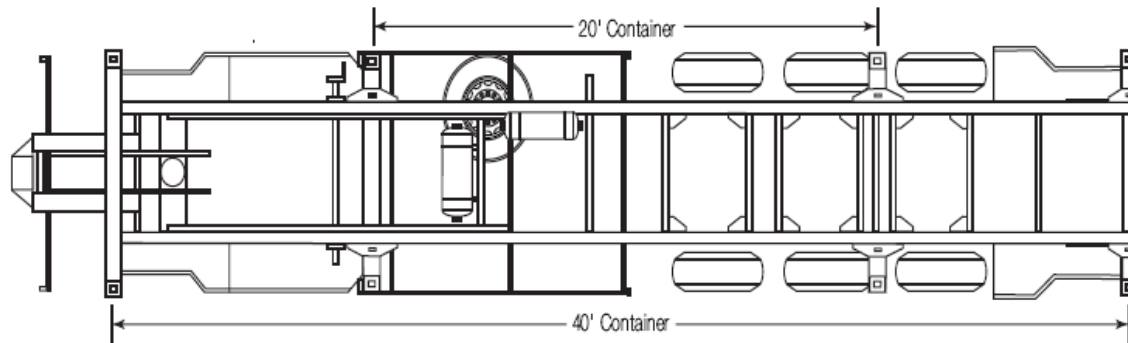
Common Dimensions of Reefer Truck Trailers

TYPE	OVERALL			INTERIOR			VOLUME (approximate)	AIRFLOW (approximate)	REFRIGERATION CAPACITY
	Length	Width	Height	Length	Width	Height			
Single or Multi Temp	28'	96"	13' 6"	27' 3"	90"	104.5"	1,780 cu ft	2,500 - 3,500 cfm	20,000 - 60,000 BTU
Single or Multi Temp	32'	96"	13' 6"	31' 3"	90"	104.5"	2,040 cu ft	2,500 - 3,500 cfm	20,000 - 60,000 BTU
Single or Multi Temp	36'	96"	13' 6"	35' 3"	90"	104.5"	2,300 cu ft	2,500 - 3,500 cfm	20,000 - 60,000 BTU
Single or Multi Temp	40'	96"	13' 6"	39' 3"	90"	104.5"	2,560 cu ft	2,500 - 3,500 cfm	20,000 - 60,000 BTU
Single or Multi Temp	48'	96"	13' 6"	47' 3"	90"	104.5"	3,080 cu ft	2,500 - 3,500 cfm	20,000 - 60,000 BTU
Single or Multi Temp	53'	102"	13' 6"	52' 3"	97.4"	104.5"	3,693 cu ft	2,500 - 3,500 cfm	20,000 - 60,000 BTU

Container Skeletal Carrier



Side View - With 40' container mounted on top



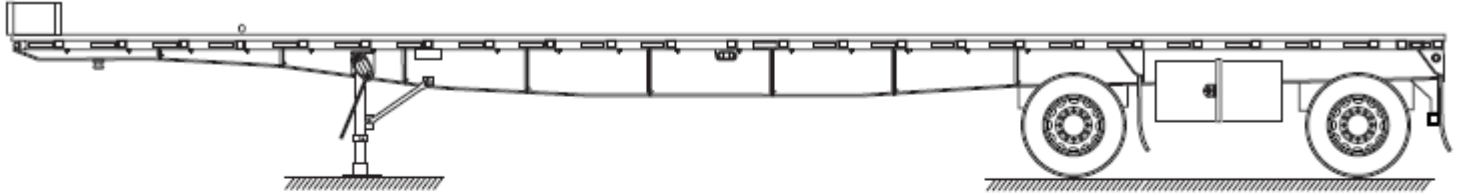
Top View (Note positioning for 20' and 40' containers)

- These trailers are designed to transport international cargo containers that can often range from 20'— 45' in length
- Some skeletal containers come in adjustable configurations to accommodate a wide range of containers
- Brackets mounted on the trailer keep the container in place for roadway travel
- Common axle/wheel ratios: 2 axle/8-wheel, heavy loads use 3 axle/12 wheel or 4 axle/ 16 wheel configurations

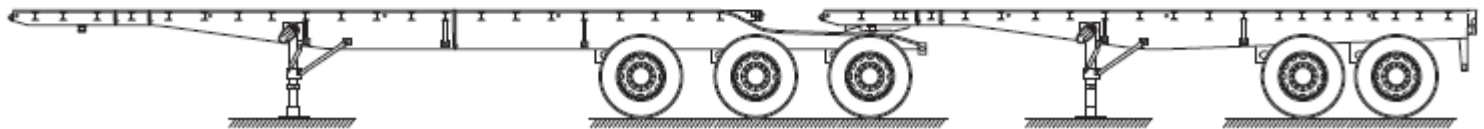
Common Dimensions of Container Skeletal Carriers

OVERALL			CONTAINER	TARE	NET	GROSS
Length	Width	Height	SIZES		CAPACITY	CAPACITY
41.5'	98"	51.5"	20' - 40'	12,100 lbs / 5,500 kg	71,390 lbs / 32,450 kg	83,600 lbs / 38,000 kg

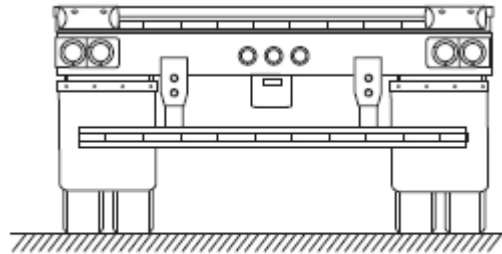
Platform (Flat Bed) Trailer



Side View



Tandem Side View

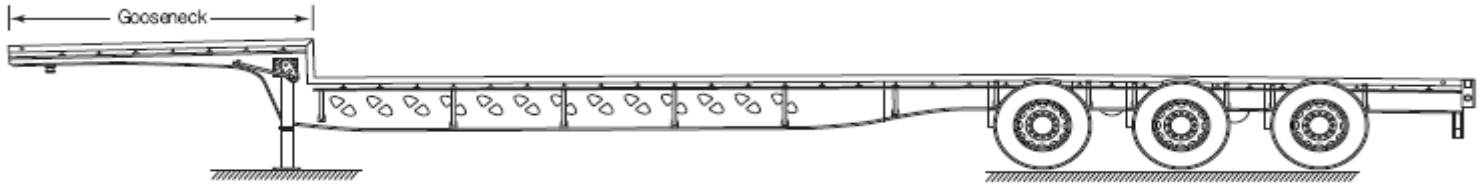
Platform Trailer
Rear View

- These trailers are designed to accommodate oversized cargo that wouldn't normally fit into standard sized freight trailers
- Platform trailers are also designed for transporting materials that must be loaded/unloaded from the top or side of the trailer
- Common lengths: 26', 40', 42', 45', 48'

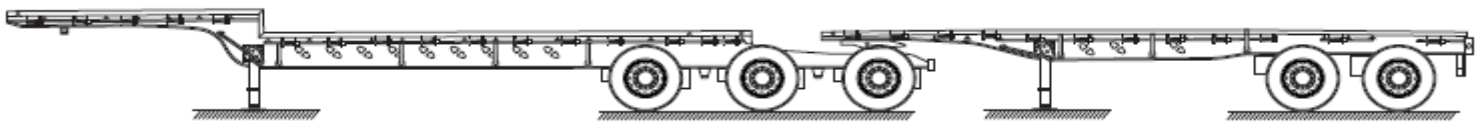
Common Dimensions of Platform Trailers

TYPE	OVERALL		TARE	WEIGHT	
	Length	Width		CAPACITY	
Platform	26'	96"	6,100 lbs.	50,000 - 55,000 lbs.	
Platform	40'	96"	10,800 lbs.	50,000 - 55,000 lbs.	
Platform	42'	96"	11,050 lbs.	50,000 - 55,000 lbs.	
Platform	45'	96"	12,420 lbs.	50,000 - 55,000 lbs.	
Platform	45'	102"	12,870 lbs.	50,000 - 55,000 lbs.	
Platform	48'	102"	13,430 lbs.	50,000 - 55,000 lbs.	
Platform	48' triaxle	102"	15,460 lbs.	50,000 - 55,000 lbs.	
Extendible	40'-65'	96"	15,900 lbs	NOTE: Extendible Length/Weight Capacity (decreases in extended position) 40'/80,000 lbs 50'/48,000 lbs 55'/35,000 lbs 60'/30,000 lbs 65'/27,000 lbs 70'/25,000 lbs	
Extendible	40'-65'	102"	16,500 lbs		
Extendible	45'-70'	96"	16,800 lbs		
Extendible	45'-73'	96"/102"	16,990/17,250 lbs		
Extendible	48'-76'	96"/102"	17,400/17,650 lbs		
Extendible- Single Drop	45'-65'	96"	17,500 lbs		
Extendible- Triaxle	45'-75'	102"	22,570 lbs		

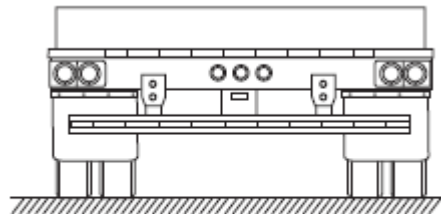
Platform Dropdeck/Gooseneck Trailers



Gooseneck Trailer
Single



Gooseneck Trailer
Tandem



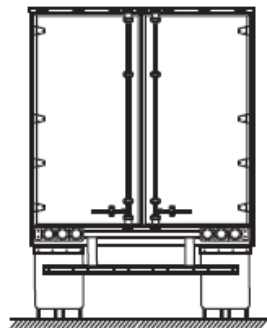
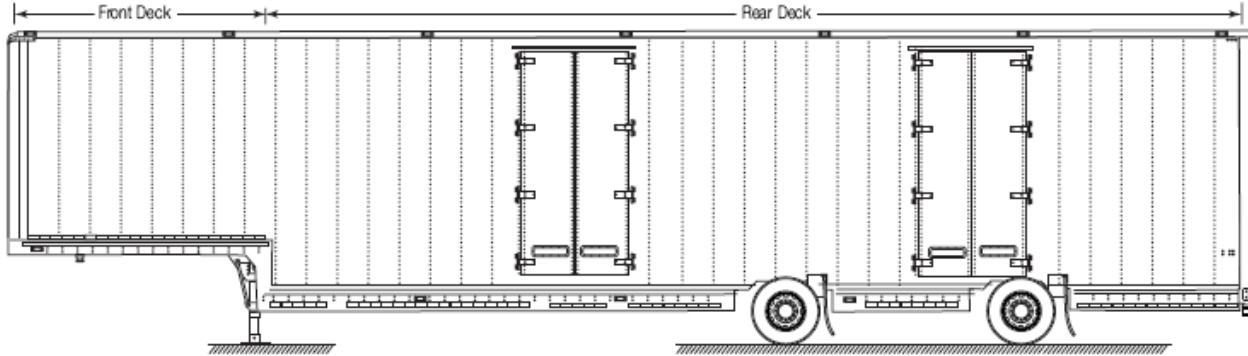
Gooseneck Trailer
Rear View

- Designed to accommodate oversized or special cargo much like a platform trailer
- Common lengths: 40', 42', 45', 48'

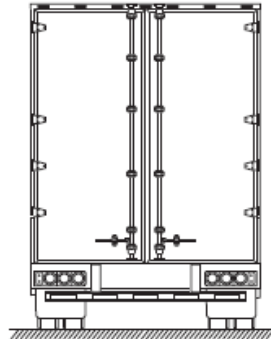
Common Dimensions of Gooseneck Trailers

TYPE	OVERALL		TARE	WEIGHT
	Length	Width		CAPACITY
Dropdeck	40'	96"	12,800 lbs.	70,000 lbs.
Dropdeck	42'	96"	13,200 lbs.	70,000 lbs.
Dropdeck	45'	96"	13,600 lbs.	66,000 lbs.
Dropdeck	48'	196"	13,060 lbs.	66,000 lbs.
Dropdeck	48'	102"	13,350 lbs.	66,000 lbs.
Dropdeck	48'	102"	14,100 lbs.	66,000 lbs.
Lowbed	40'	96"	15,900 lbs	70,000 lbs.
Lowbed	40'	96"	16,500 lbs	70,000 lbs.
Lowbed	40'	102"	16,800 lbs	70,000 lbs.
Lowbed	41.5'	102"	16,990/17,250 lbs	70,000 lbs.

Deep Drop Furniture/Electronics Trailers



Standard Freight Van
Rear View
(Note higher deck
and lower overall height)



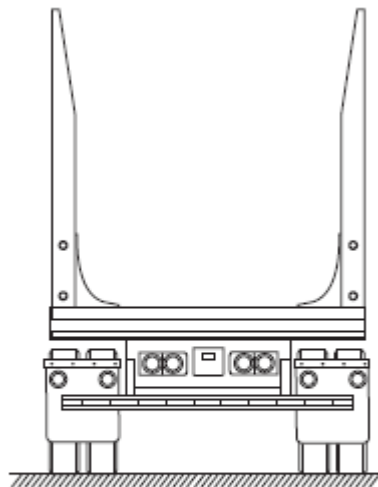
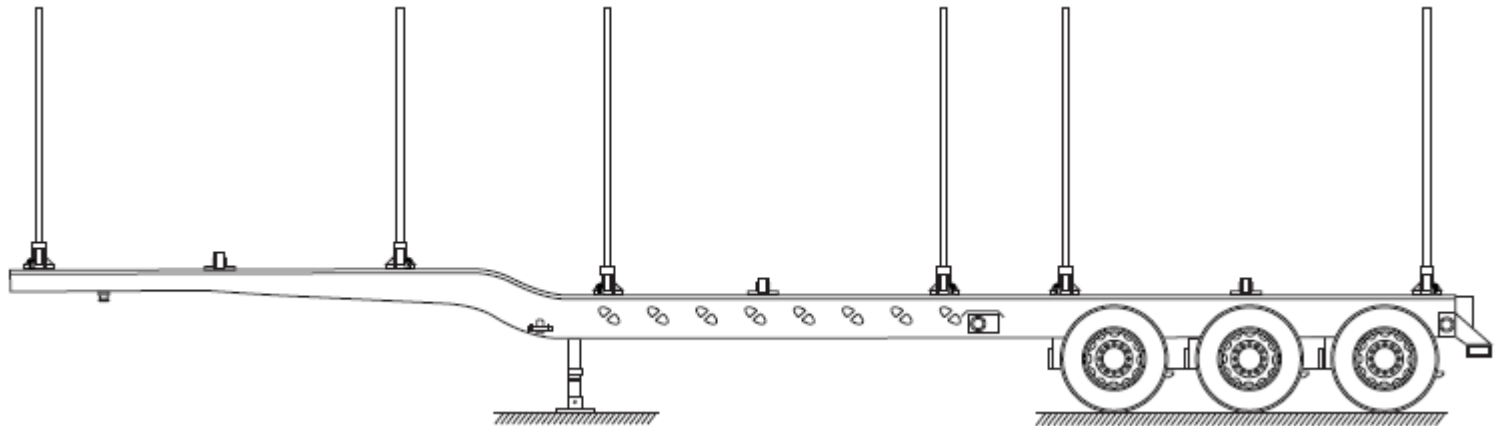
Deepdrop Furniture Van
Rear View
(Note lower deck
and greater overall height)

- These trailers are designed to transport relatively large, bulky, and light cargo
- Common lengths: 45', 48', 53'
- Standard heights: 13' 6"
- Standard widths: 96"—102"
- Lower rear deck to facilitate greater cargo capacities
- Often these will have air ride suspensions to protect fragile cargo

Common Deep Drop/Electronics Dimensions

OVERALL			INTERIOR			REAR SWING DOOR		VOLUME	TARE
Length	Width	Height	Length	Width	Height	Width	Height		
45'	96"	13' 6"	44' 7"	92.5"	106"/123"	92"	119"	3,420 cu ft	13,500 lbs
48'	102"	13' 6"	47' 7"	98.5"	106"/122"	98"	118"	3,789 cu ft	14,250 lbs
53'	102"	13' 6"	52' 7"	98.5"	106"/119"	98"	119"	4,395 cu ft	15,000 lbs

Timber Trailers (Loggers)



Timber (Logger) Trailer
Rear View
(Note stakes for holding
logs in place)

- These are basically flat bed trailers with vertical stakes to hold logs in place
- Common lengths: 40'—53' (singles) 28'—32' (tandems)
- Common axle/wheel ratios: 2 axle/8-wheel, heavy loads use 3 axle/12 wheel or 4 axle/ 16 wheel configurations
- Some loggers are equipped with cranes for loading and unloading timber

Common Logger Dimensions

OVERALL			WHEEL BASE	AXLES	DROP	STAKE HEIGHT	CAPACITY
Length	Width	Height					
48'	102"	12' 9"	37' 6.5"	5	50"	8' 7"	25,000 lbs (actual load dependent upon diameter and shape of logs)
48' 8"	102"	13' 10"	38' 1.5"	3	59.5"	8' 10.5"	25,000 lbs (actual load dependent upon diameter and shape of logs)
48' 8"	102"	13' 10"	38' 1.5"	3	55.75"	9' 3"	22,500 lbs (actual load dependent upon diameter and shape of logs)
50'	114"*	15'*	38' 1.5"	3	58"	10' 2"	22,500 lbs (actual load dependent upon diameter and shape of logs)

* Non-US interstate highway configuration.