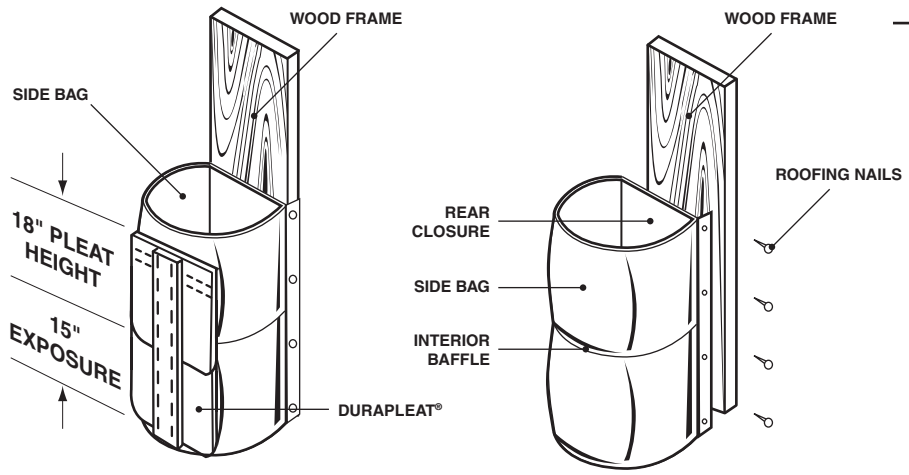
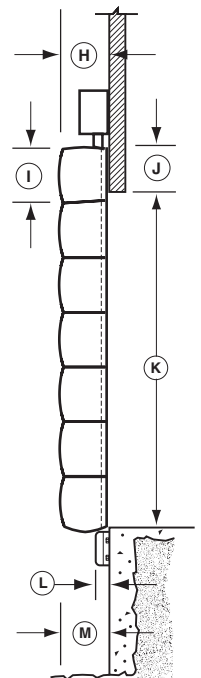
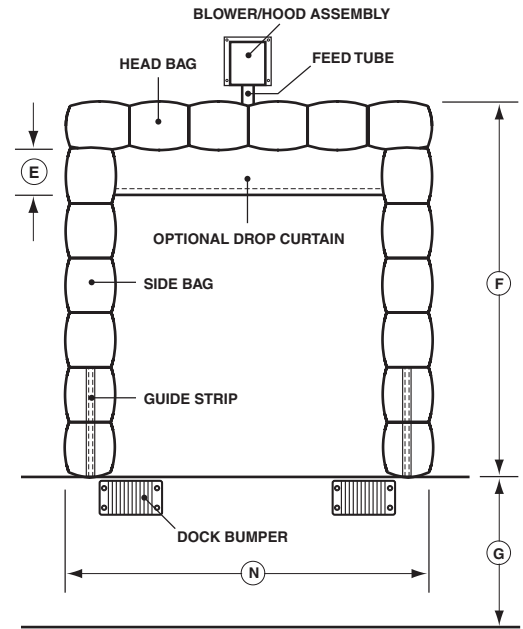
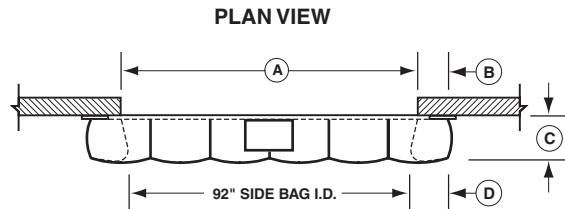
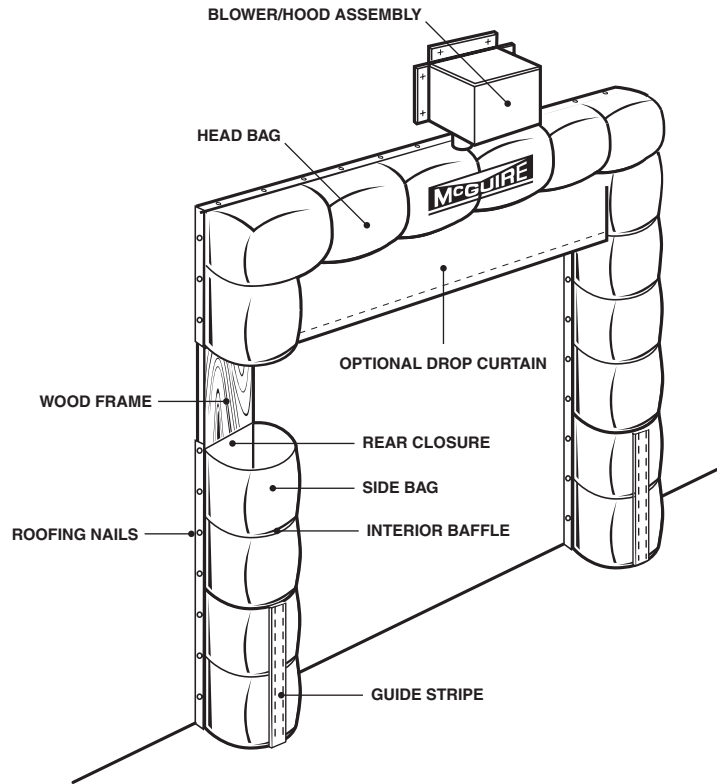


TS200
INFLATABLE FIXED
HEAD DOCK SEAL



OPTIONAL PLEAT DETAIL

CONSTRUCTION DETAIL

FRONT ELEVATION VIEW

<p>FABRIC</p> <input type="checkbox"/> 22 OZ. VINYL ALL COLORS <input type="checkbox"/> 16 OZ. HYPALON® BLACK	<p>UNIT FABRIC</p> <p>"H" UNIT TOP PROJ.</p> <p>"I" HEAD BAG HEIGHT AT FACE</p> <p>"J" HEAD BAG HEIGHT AT REAR</p>	<p>"K" DOOR HEIGHT</p> <p>"L" DOCK BUMPER PROJ.</p> <p>"M" UNIT BOTTOM PROJ.</p> <p>"N" UNIT WIDTH</p> <p>PLEAT FABRIC</p>
	<p>DIMENSIONS</p> <p>"A" DOOR WIDTH</p> <p>"B" SIDE BAG WIDTH AT REAR</p> <p>"C" UNIT TOP PROJ.</p> <p>"D" SIDE BAG WIDTH AT FACE</p> <p>"E" DROP CURTAIN HEIGHT</p> <p>"F" UNIT HEIGHT</p> <p>"G" DOCK HEIGHT</p>	
<p>205 BROADVIEW STREET • P.O. BOX 151 UPPER SANDUSKY, OH 43351 PHONE 1.800.262.1188 FAX 419.294.4980 WWW.WBMCGUIRE.COM</p>		
<p>McGUIRE</p>		
<p>JOB: _____</p>		
<p>LOCATION: _____</p>		
<p>CONTRACTOR: _____</p>		<p>ARCHITECT: _____</p>
<p>APPROVED BY SIGNATURE: _____</p>		