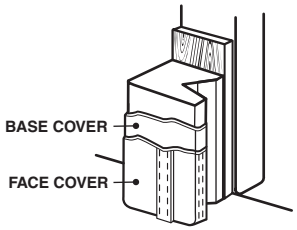
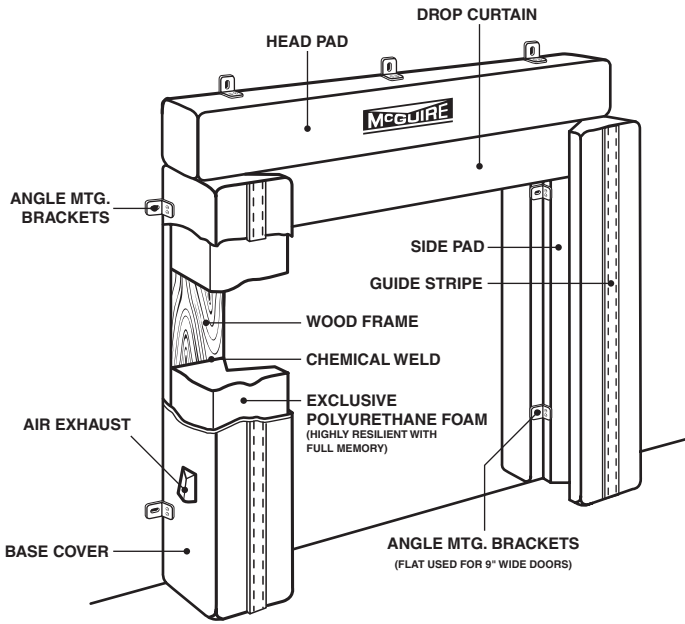
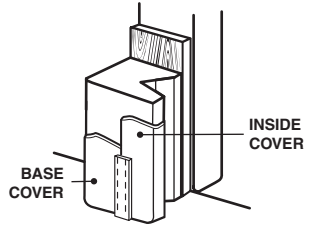


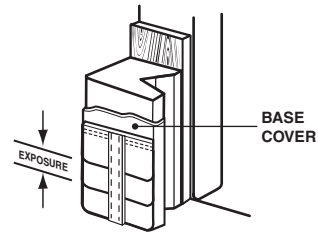
TS101L
FIXED HEAD
L PAD DOCK SEAL



REINFORCED FACE

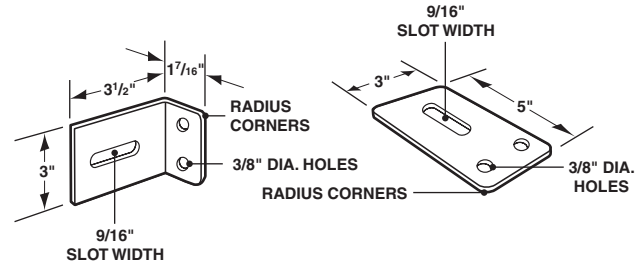
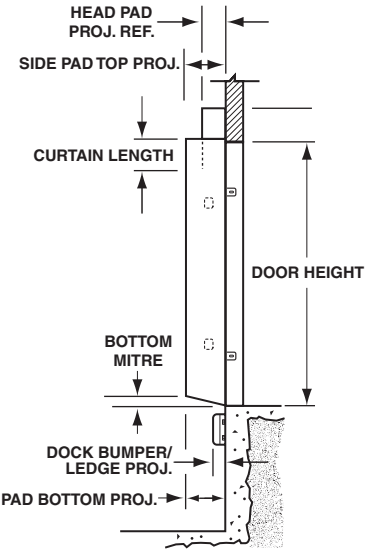
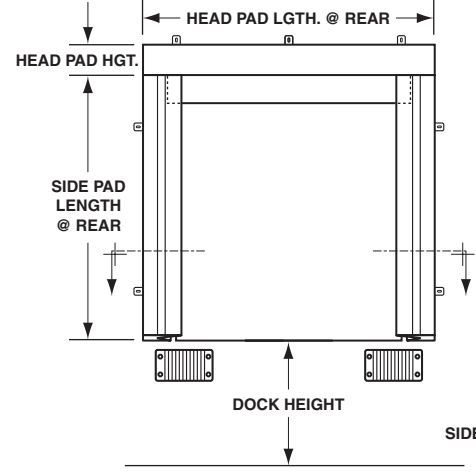
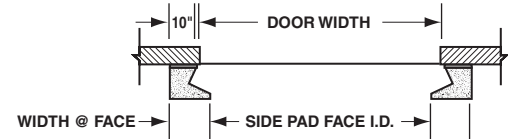


REINFORCED INSIDE

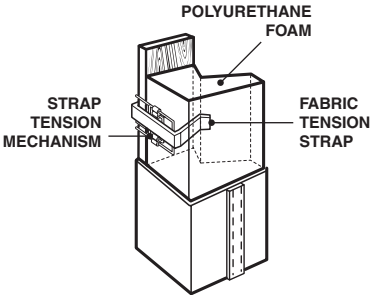


DURAPLEAT® PLEATS

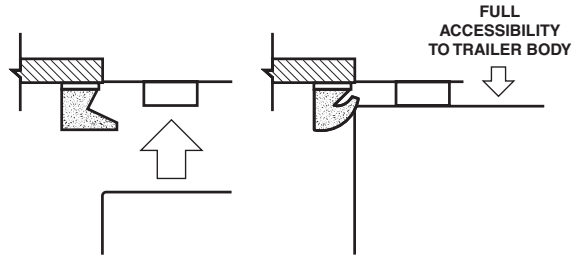
- SIDE PADS
- 4" EXPOSURE
- 8" EXPOSURE
- 16" EXPOSURE



ANGLE AND FLAT MOUNTING BRACKETS



SIDE PAD COVER SUPPORT
(ASSEM. - TYP. 6 PLACES @ PAD)



FLEX ACTION OF SIDE PADS SHOWN AS TRAILER BODY ENTERS DOCK

GENERAL INFORMATION

- ___ DOOR WIDTH
- ___ DOOR HEIGHT
- ___ DOCK HEIGHT
- ___ DISTANCE BETWEEN DOORS
- ___ CLEARANCE ABOVE DOOR
- ___ DOCK BUMPER/LEDGE COMBINED PROJECTION

HEAD PAD DATA

- ___ HEIGHT
- ___ LENGTH AT REAR
- ___ CURTAIN LENGTH

SIDE PAD DATA

- (RECOMMENDED PROJECTION 10" BEYOND BUMPER, MAX. 30")
- ___ TOP PROJECTION
- ___ BOTTOM PROJECTION
- ___ LENGTH AT REAR
- ___ SIDE PAD FACE I.D.

FABRIC SELECTION

- ___ SIDE PAD BASE
- ___ SIDE PAD FACE REINFORCEMENT
- ___ SIDE PAD INSIDE REINFORCEMENT
- ___ HEAD PAD BASE
- ___ HEAD PAD FACE REINFORCEMENT
- ___ HEAD PAD UNDERSIDE REINFORCEMENT
- ___ DURAPLEAT® PLEATS

OPTIONS

- REINFORCED HEAD PAD FACE
- REINFORCED SIDE PAD FACE
- REINFORCED INSIDE EDGE SIDE PAD ___" UP FROM BOTTOM
- REINFORCED UNDERSIDE OF HEAD PAD
- FORMED STEEL BACK (MIN. 14 GAUGE)
 - PAINTED
 - GALVANIZED
- ROPE/PULLEY SYSTEM
- TOUCH & HOLD ATTACHMENTS



205 BROADVIEW STREET • P.O. BOX 151
UPPER SANDUSKY, OH 43351
PHONE 1.800.262.1188
FAX 419.294.4980
WWW.WBMCUIRE.COM

JOB: _____

LOCATION: _____

CONTRACTOR: _____ ARCHITECT: _____

APPROVED BY SIGNATURE: _____