



W.B. McGuire™ Company
205 Broadview Street
P.O. Box 151
Upper Sandusky, OH 43351
Phone 1.800.262.1188
Fax 419.294.4980
www.wbmcguire.com

Inflatable Shelter RC200 Series Rail Shelters

All Models

Installation Instructions



Do not install this product unless you read and understand the Warnings and Installation Instructions contained in this manual. Failure to do so could result in serious injury or death.

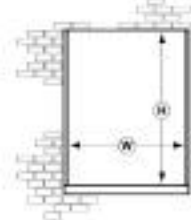
INFLATABLE SHELTER RC200 SERIES –

Installation Instructions

CHECK FIRST:

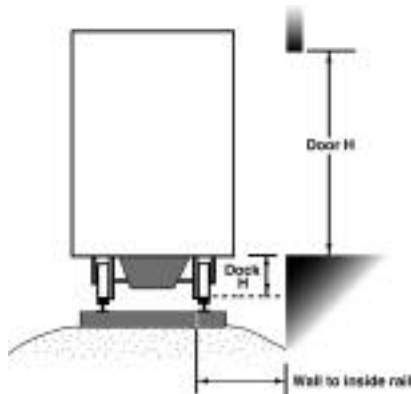
To ensure proper measurement to accommodate the rail Dock Shelter you are installing, check the following:

A. Check the door height and width to verify that your shelter frame is properly sized.



B. It is recommended that the rail shelter frame projection conform to the following formula. Projection equals inside of nearest first rail to wall dimension - minus 24".

C. Unit height should be 15'-0" off top of rail for box cars. For refrigerated cars, unit height should be 15'-6".



▲ WARNING

Improper lifting or attachment of seal/shelter can cause serious injury or death.

Installation requires:

- A structurally sound building wall,
- Barricades to keep people away from the area,
- Proper attachment of anchoring devices,
- Two or more people,
- A lifting device capable of lifting at least 500 lbs. at the installation angle.

If you have questions, contact your supervisor, your local McGuire™ distributor or McGuire™ at 1-800-624-8473.

INSTALLATION:

1. Verify that proper unit size and components have arrived at job site to accommodate door to be serviced.

2. Nail attached fabric/Velcro tieback straps to rear of wood side frames and bottom frame – per drawing if available. (Usually two straps at each side frame and two straps at bottom frame.)

3. On outside building face, position wood side frames (equally spaced per unit width), on either side of door opening, positioned vertically per submittal drawing or sketch. Secure each frame to wall with a minimum of four (4) anchors, maximum 24" apart o.c. Stagger position anchors 3" in from either edge - one at 12" in from each end of the frame and equally space the remaining anchors. Drill holes through wood frames and into or through building wall for expanding type anchors or thru bolts with back up plates (depending upon wall construction). A minimum of 1/2" diameter anchors recommended. Position the wood head frame across the top; and bottom frame across the bottom of the two side frames and secure to wall in the same fashion. Caulk and seal outside perimeter.

4. Check specifications and drawings as to intended blower/motor location and air inlet to bag assembly. If blower/motor to be inside building and air feed to be thru hole in wall and unit's wood frame, provide that hole now. (Hole in wood frame to suit.)

5. Unroll fabric side, head and bottom bag assembly and position rear hems over wood frame. Secure these hems to inside and outside frame perimeters with roofing nails placed approximately 6" on center.

6. Position side bag storage covers against outside edges of wood side frames and nail attach. Position corresponding fabric locking tabs against inside edges of wood side frames and nail attach. (OPTIONAL)

7. At appropriate locations (within reach of fabric air feed tube) secure blower/motor and bracket assembly to building wall with anchors compatible to construction. If outside attachment, also attach weather hood. Make sure all components are at least 16 feet above top of rail. Also assure that side of weather hood does not interfere with airflow at blower intake.

8. Attach fabric air feed tube from bag to blower/motor outlet with screw-type hose clamp. Trim excess feed tube length as required. (If inside mounted blower/motor required, position PVC pipe into hole thru wall and unit frame, caulk and seal, then attach separate fabric air feed tube between PVC pipe and blower/motor outlet and secure with screw type hose clamps.)

9. Provide required electrical service (including on-off control) to blower/motor per manufacturers instructions and all applicable building and electrical codes.

10. Attach provided shock cords to attachment points on sides, top and top corners of unit. Secure other (bracket) ends of shock cords to the building face in positions that result in moderate rearward and upward tension on the bag assembly (for this unit, bracket mounting locations to be 3'-0" outward and 3'-0" upward from the bag attachment points on the unit exterior – 45° angle – when viewing face of unit). These cords are to provide bag support when the unit is in the retracted (deflated) position.

11. Test inflate unit. Check overall unit width, height and projection size per order or assembly drawing.

12. Attach provided shock cords to attachment points on top of unit. These cords are to provide bag support when the unit is in the retracted (deflated) position.

13. Clean unit as required.

14. Turn off blower/motor, retract unit to wall and secure with fabric/Velcro tieback straps.

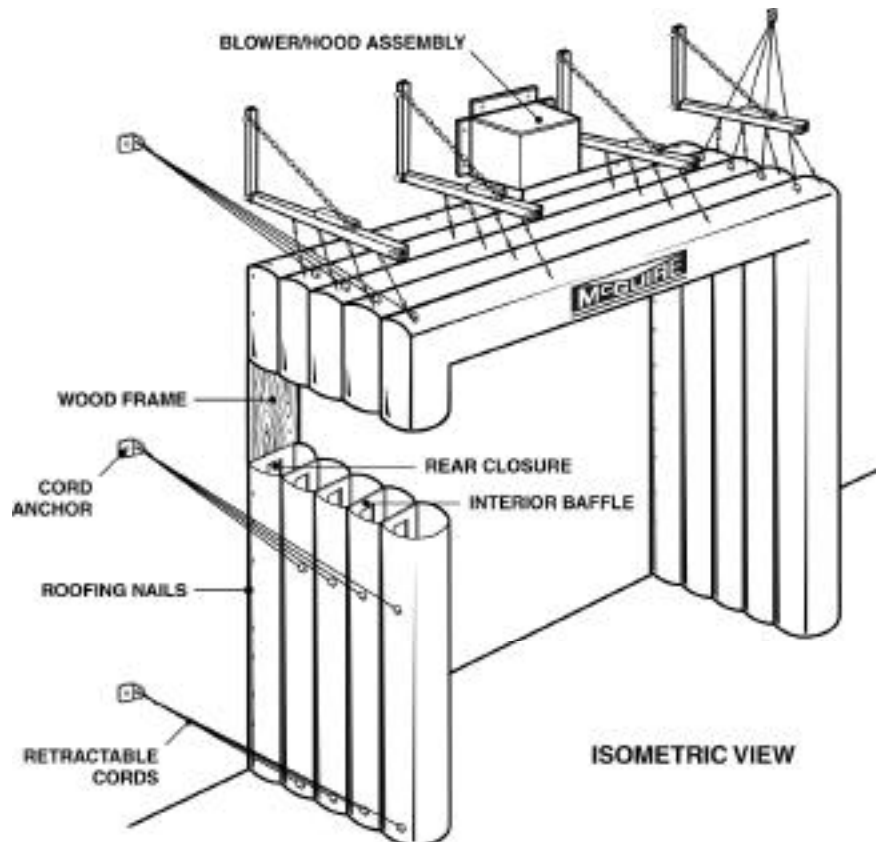
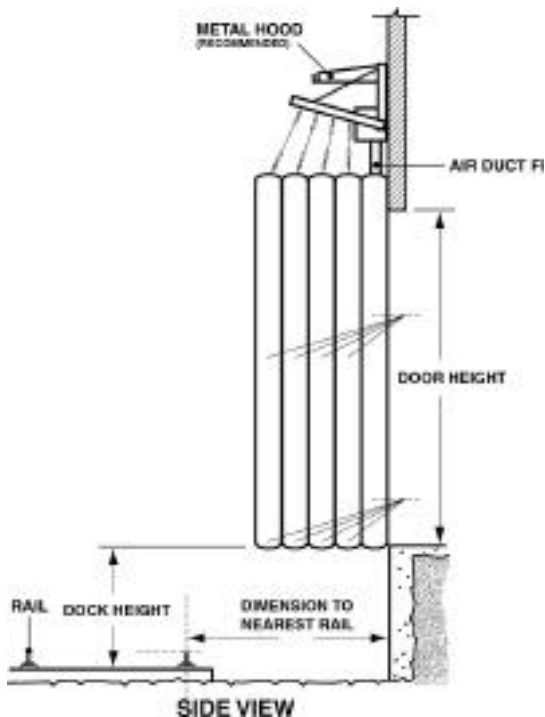
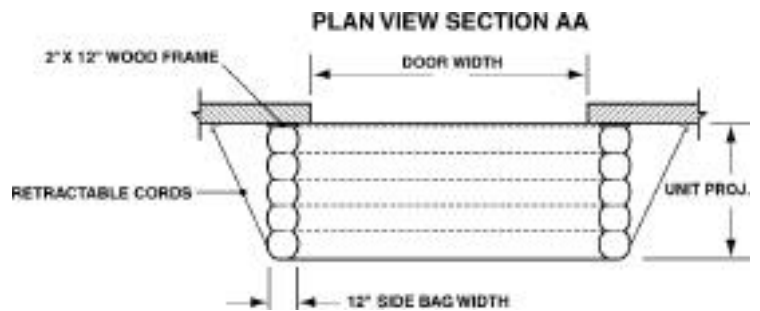
SUGGESTED MOUNTING METHODS:

(Mounting anchors not included.)

Concrete or Brick Wall: Try to hit mortar joints. Use 1/2" or 3/8" x 3" expansion anchors. use through-bolt fastening if anchors will not hold, 3/8" threaded rod is recommended.

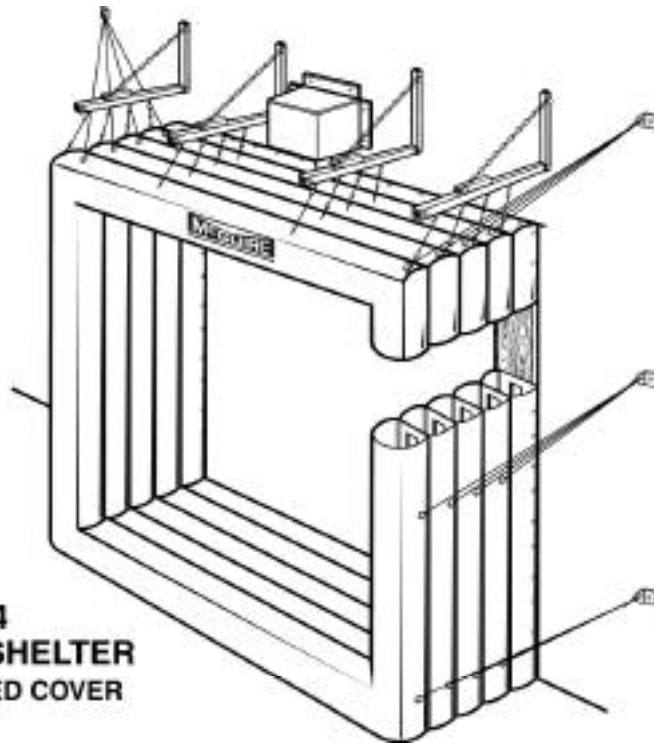
Precast Concrete: Same as above.

Metal Skin Building: Through-bolt fastening as above. Use a back-up plate (steel or wood) to support bolts or anchor through existing building horizontal and vertical structural members when possible.



OPTIONAL CONFIGURATION:

NOTE: Model RC204 must be sized to allow a minimum 12" of clearance below dock level to accommodate the 4th (or bottom) side.



**SERIES RC204
INFLATABLE RAIL SHELTER
4-SIDED FRAME, 4-SIDED COVER**

WARRANTY:

McGuire™ warranties extend only to the product itself.

McGuire™ DISCLAIMS all liability arising out of the workmanship, methods and materials used by the installer. WARRANTIES, whether express or implied, relating to workmanship and materials used in connection with the installation of McGuire™ products are specifically DISCLAIMED.

Note: Improper installation of anchoring devices or installation into aged or unsound concrete could result in premature product wear, product failure, or property damage.

RC200 Rail Shelter are custom built for each door. installation procedures are the same for all RC200 Rail Shelter regardless of size.

We have asked your local representative to present this information to you, inspect the installation, and familiarize you and your employees with proper operation of the product.

McGuire™ expressly warrants that any Dock Seal or Shelter sold by it will be free from defects in material and workmanship under normal use for a period of one (1) year from the earlier of, 1) 60 days after date of shipment, or 2) the date of installation of the Dock Seal or Shelter by the original purchaser, provided the product is properly applied and installed. In the event the Dock Seal or Shelter proves defective in material or workmanship, McGuire™ will, at its option:

1. Replace the Dock Seal or Shelter or the defective portion thereof without charge to the purchaser; or 2. Alter or repair the Dock Seal or Shelter, on site or elsewhere, without charge to the purchaser.

The warranty stated in the preceding paragraph is that expressed by McGuire™ AND IS IN LIEU OF ALL GUARANTEES AND WARRANTIES, EXPRESSED OR IMPLIED BY ANYONE OTHER THAN McGUIRE™. The warranty does not cover any failure caused by improper installation or application, abuse, or negligence. Parts requiring replacement due to damage resulting from vehicle impact, abuse or improper installation are not covered by this warranty. Seller assumes no responsibility or liability for (1) consequential damages of any kind which result from the use or misuse of the Dock Seal or Shelter, (2) damage or failure resulting from the use of unauthorized replacement parts or modification of the Dock Seal or Shelter; (3) damage resulting from the misuse of the Dock Seal or Shelter. **THERE ARE NO WARRANTIES, EXPRESSED OR IMPLIED, WHICH EXTEND BEYOND THE DESCRIPTION ON THE FACE HEREOF, AND THERE IS NO WARRANTY OF MERCHANTABILITY OR OF FITNESS FOR A PARTICULAR PURPOSE.**

McGuire™ warranties extend only to the Dock Seal or Shelter itself.

McGUIRE™ DISCLAIMS:

- ALL WARRANTIES, whether expressed or implied, relating to workmanship and materials used in connection with the installation or maintenance of the Dock Seal or Shelter.
- All liability arising out of the workmanship, methods and materials used in the installation or maintenance of the Dock Seal or Shelter.
- All liability for premature product wear, product failure, property damage or bodily injury arising from improper installation or maintenance of the Dock Seal or Shelter.