

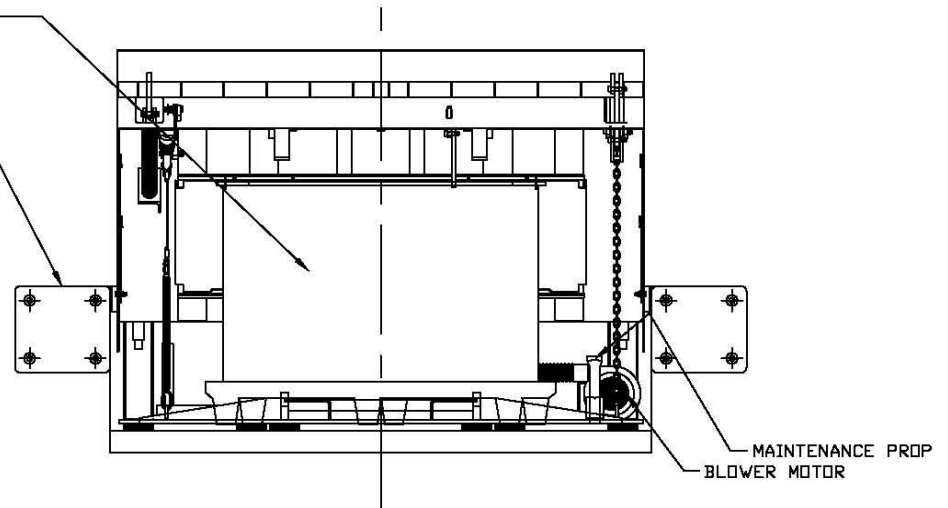
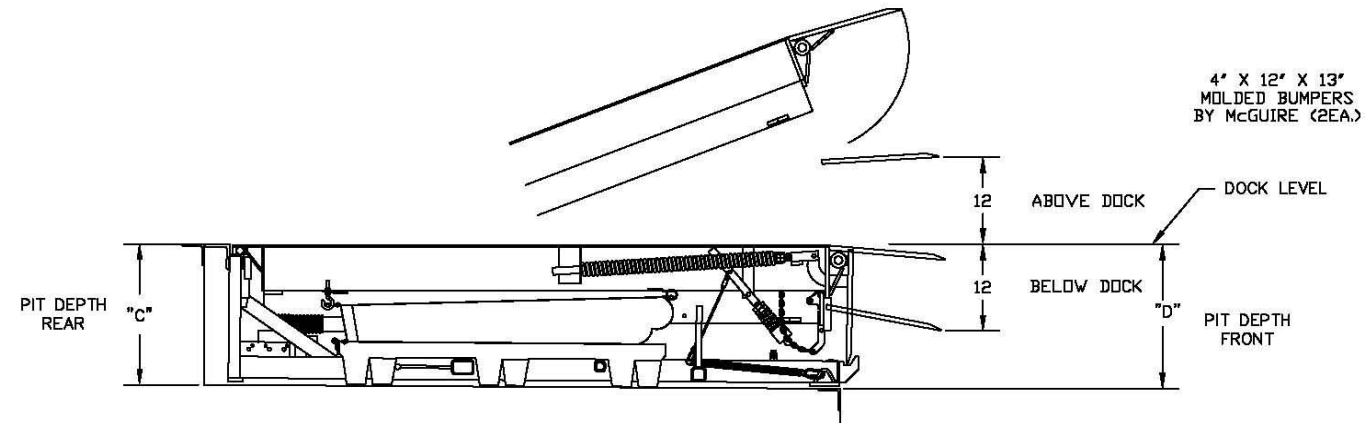
NOTE:  
LIP TAPERED TO 78° ON  
7' WIDE LEVELERS ONLY

SELECT	MODEL #	NOMINAL SIZE	"A"	"B"	"C"	"D"
<input type="checkbox"/>	MA-66	6'X6'	74"	63"	19 1/2"	20"
<input type="checkbox"/>	MA-68	6'X8'	74"	87"	19 1/2"	20"
<input type="checkbox"/>	MA-610	6'X10'	74"	111"	23 1/2"	24"
<input type="checkbox"/>	MA-6.56	6.5'X6'	80"	63"	19 1/2"	20"
<input type="checkbox"/>	MA-6.58	6.5'X8'	80"	87"	19 1/2"	20"
<input type="checkbox"/>	MA-6.510	6.5'X10'	80"	111"	23 1/2"	24"
<input type="checkbox"/>	MA-76	7'X6'	85"	63"	19 1/2"	20"
<input type="checkbox"/>	MA-78	7'X8'	85"	87"	19 1/2"	20"
<input type="checkbox"/>	MA-710	7'X10'	85"	111"	23 1/2"	24"

SELECT CAPACITY			
<input type="checkbox"/> 25,000 LB (CIR)	<input type="checkbox"/> 30,000 LB (CIR)	<input type="checkbox"/> 35,000 LB (CIR)	<input type="checkbox"/> 40,000 LB (CIR)
<input type="checkbox"/> 45,000 LB (CIR)		<input type="checkbox"/> 55,000 LB (CIR)	

- STANDARD "MA" FEATURES**
- SINGLE PHASE 115V MOTOR WITH SINGLE BUTTON CONTROL
  - MULTI-POSITION STRUCTURAL STEEL SAFETY LEGS
  - BELOW DOCK END-LOADING CONTROL
  - FULL RANGE TOE GUARDS
  - 16" YIELDABLE LIP
  - STRUCTURAL STEEL SUPPORT MEMBERS-45K&55K
  - 3-WHEEL FORK TRUCK PROTECTION-45K&55K
  - STEEL CHANNEL DECK SUPPORT MEMBERS-25K,30K,35K&40K
  - GREASE FITTINGS
  - LOCKOUT/TAGOUT MAINTENANCE STRUT AND LIP STRUT
  - LIP HOLD GAS CYLINDER
  - NIGHT LOCKS/CROSS TRAFFIC SUPPORT
  - CLEAN SWEEP FRAME
  - TWO (2) 4" X 12" X 13" MOLDED BUMPERS



- OPTIONAL "MA" SERIES FEATURES**
- 18" LIP
  - 20" LIP
  - B2 BARRIER LIP OPTION
  - 24" PIT CONVERSION
  - 3 WHEEL FORKLIFT PROTECTION (25K THRU 40K)
  - RUBBER WEATHER SEALS (SIDES ONLY REQUIRED)
  - BRUSH WEATHER SEALS (SIDES ONLY REQUIRED)
  - OPTIONAL BUMPERS PLEASE SPECIFY
  - FOAM INSULATED DECK
  - MISC

Customer:		Certified For Construction:	
Job:		By:	
Location:		Date:	
Number of Units:		Company:	
Model:		City & State:	
Size:			
Represented By:		Voltage:	
Sales Rep:		Drawing #:	

MATERIAL SPECIFICATION		McGUIRE MA SERIES	
TOLERANCES UNLESS OTHERWISE SPECIFIED		DRAWN	TSB
DECIMAL DIMENSION FRACTIONAL DIMENSION ± 1/16		DATE	6/24/09
1/2 DR DIA ± 0.005 HOLE DIAMETER +0.005/-0.005		SCALE	NTS
.000 ± 0.010 ANGULAR DIMENSION ± 1 DEG		CHECKED	TSB
<b>McGUIRE</b> W.B. McGUIRE Co., Inc.		DRAWING NO/PART NO.	NEWMA25-55GA
		REV	