

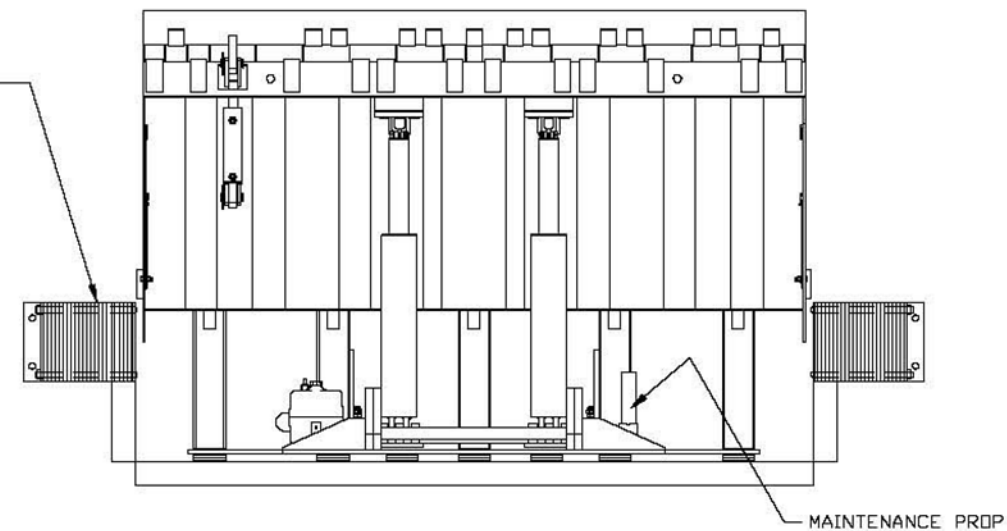
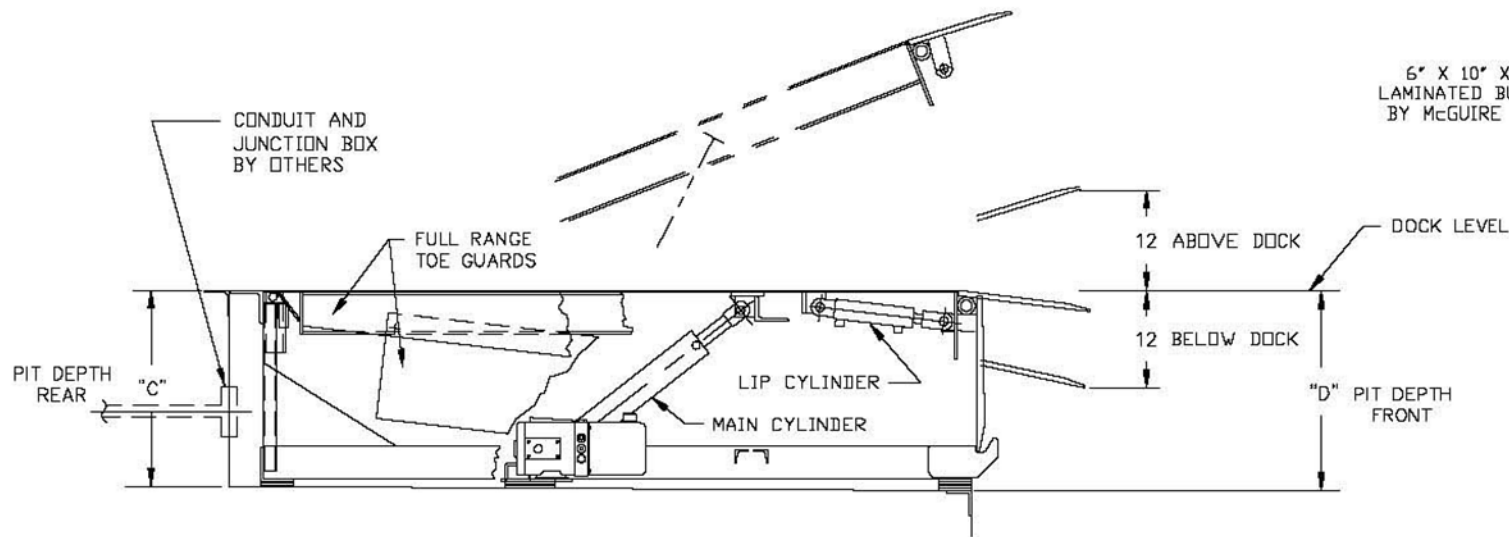
SELECT	MODEL #	NOMINAL SIZE	"A"	"B"	"C"	"D"
<input type="checkbox"/>	H-66100	6'X6'	74"	63"	23 1/2"	24"
<input type="checkbox"/>	H-68100	6'X8'	74"	87"	23 1/2"	24"
<input type="checkbox"/>	H-610100	6'X10'	74"	111"	23 1/2"	24"
<input type="checkbox"/>	H-656100	6.5'X6'	80"	63"	23 1/2"	24"
<input type="checkbox"/>	H-658100	6.5'X8'	80"	87"	23 1/2"	24"
<input type="checkbox"/>	H-6510100	6.5'X10'	80"	111"	23 1/2"	24"
<input type="checkbox"/>	H-76100	7'X6'	85"	63"	23 1/2"	24"
<input type="checkbox"/>	H-78100	7'X8'	85"	87"	23 1/2"	24"
<input type="checkbox"/>	H-710100	7'X10'	85"	111"	23 1/2"	24"

STANDARD 100K "H" SERIES FEATURES

- NEMA 12 CONTROLS
- 1 1/4 HP FRAME MOUNTED SINGLE OR 3 PHASE MOTOR
- FULL RANGE TELESCOPING TOE GUARDS
- CROSS TRAFFIC SUPPORT
- INTEGRAL TAMPERPROOF VELOCITY SAFETY STOP
- LOCKOUT/TAGOUT MAINTENANCE STRUT
- 18" YIELDABLE LIP
- 3 WHEEL FORKLIFT PROTECTION
- STRUCTURAL CHANNEL REAR FRAME SUPPORTS
- STRUCTURAL I BEAM AND C CHANNEL DECK SUPPORTS
- GREASE FITTINGS
- NIGHT LOCK SECURITY
- CLEAN SWEEP FRAME
- TWO (2) 6" X 10" X 14" LAMINATED BUMPERS

OPTIONAL 100K "H" SERIES FEATURES

- AUTO RETURN TO DOCK
- 20" LIP
- 24" PIT CONVERSION
- YELLOW & BLACK TOE GUARD SAFETY TAPE
- RUBBER WEATHER SEALS (SIDES ONLY REQUIRED)
- BRUSH WEATHER SEALS (SIDES ONLY REQUIRED)
- QUICK CYCLE LIP EXTEND BUTTON
- MUSHROOM STYLE EMERGENCY STOP BUTTON
- CLEAN PIT (FRAME REMOVED)
- OPTIONAL BUMPERS PLEASE SPECIFY
- BL-2 BARRIER LIP
- NON METALLIC NEMA 4 CONTROL BOX (NON INTERLOCK)
- MISC



AVAILABLE VOLTAGES (SELECT ONE)

- 110/115/120/1/60
- 208/220/230/3/60
- 208/220/230/1/60
- 440/460/480/3/60

Customer:		Certified For Construction:	
Job:		By:	
Location:		Date:	
Number of Units:		Company:	
Model:		City & State:	
Size:			
Represented By:		Voltage:	
Sales Rep:		Drawing #:	

TOLERANCES UNLESS OTHERWISE SPECIFIED		DATE	McGUIRE AUTO DOCK
DECIMAL DIMENSION FRACTIONAL DIMENSION ± 1/16	± .005	10/15/08	100K (CIR) H SERIES
± .001 OR .002	HOLE DIMETER +.0005 / -.0015	SCALE	HYDRAULIC LEVELER
	REGULAR DIMENSION ± .125	NTS	GENERAL ARRANGEMENT
McGUIRE		CHECKED	ISSUING DEPARTMENT NO.
W.B. McGUIRE Co., Inc.		TSB	H100