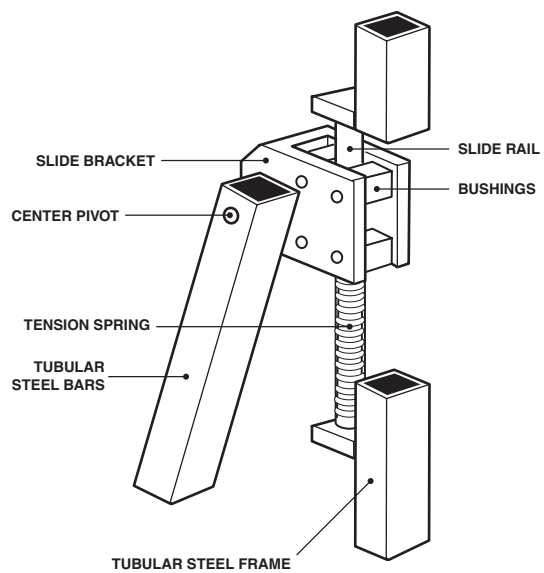
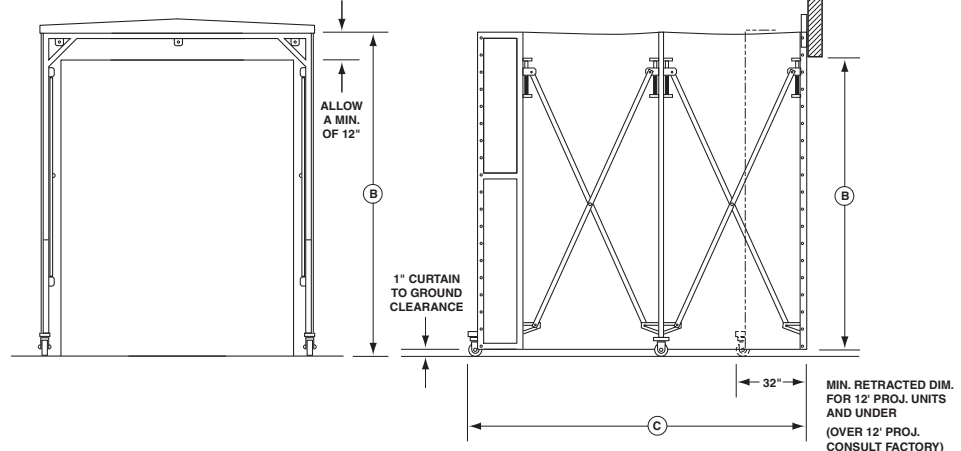
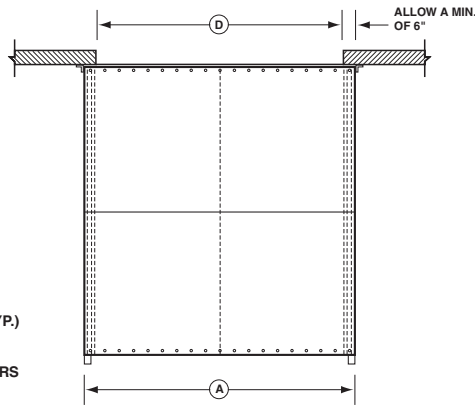
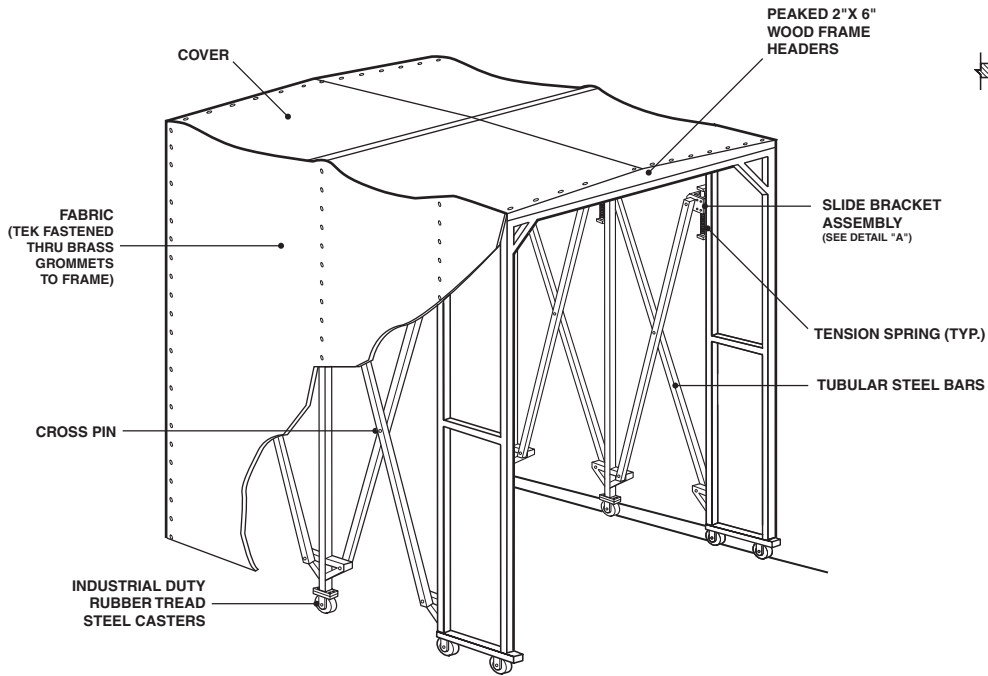
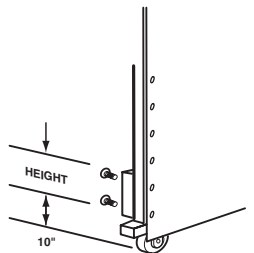


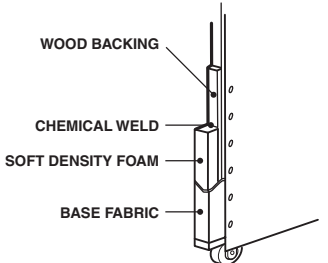
TC700
ROLLING SHELTER



DETAIL "A"
SLIDE BRACKET ASSEMBLY



OPTIONAL BOTTOM CURTAIN



OPTIONAL FOAM FACE

- TYPE**
- GROUND LEVEL
 - DOCK LEVEL
- VEHICLE SERVICING**
- RAIL CAR
 - TRACTOR-TRAILER
 - MOBILE MEDICAL UNIT
- OPTIONAL EQUIPMENT**
- FOAM FACE
 - WINDOWS
 - ___ HEIGHT
 - ___ QUANTITY
 - ___ WIDTH (SKETCH LOC.)
 - BOTTOM CURTAIN
 - ___ HEIGHT

- UNIT DATA**
- ___ "A" UNIT WIDTH
 - ___ "B" UNIT HEIGHT
 - ___ "C" UNIT PROJECTION
 - ___ "D" DOOR WIDTH
 - ___ "E" DOOR HEIGHT

- ___ CLEARANCE EA. SIDE OF DOOR
 - ___ CLEARANCE ABOVE DOOR
- FABRIC**
- 22 OZ. VINYL ALL COLORS
 - 16 OZ. HYPALON™ BLACK



205 BROADVIEW STREET • P.O. BOX 151
UPPER SANDUSKY, OH 43351
PHONE 1.800.262.1188
FAX 419.294.4980
WWW.WBMCQUIRE.COM

JOB: _____

LOCATION: _____

CONTRACTOR: _____ ARCHITECT: _____

APPROVED BY SIGNATURE: _____